



EMIF06-VID01C2

IPAD™

6 line low capacitance EMI filter and ESD protection

Main application

Where EMI filtering in ESD sensitive equipment is required:

- LCD and camera for mobile phones
- Computers and printers
- Communication systems
- MCU board

Description

The EMIF06-VID01C2 is a 6 line highly integrated device designed to suppress EMI/RFI noise in all systems subjected to electromagnetic interference. The Flip-Chip packaging means the package size is equal to the die size.

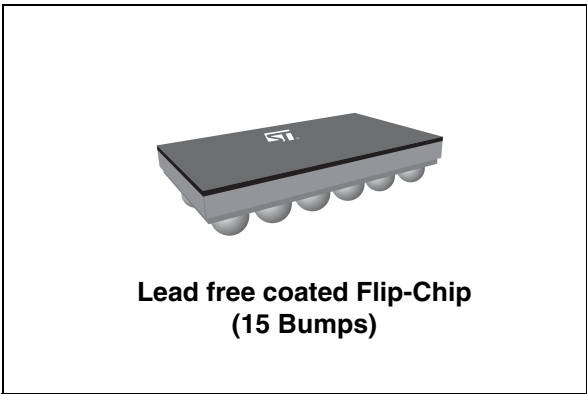
This filter includes ESD protection circuitry, which prevents damage to the application when it is subjected to ESD surges up to 15 kV.

Benefits

- High efficiency EMI filtering (-40db @ 900MHz)
- Low line capacitance suitable for high speed data bus
- Low serial resistance for camera impedance adaptation
- Optimized PCB space consuming: 2.92mm x 1.29mm
- Very thin package: 0.69 mm
- High efficiency in ESD suppression on inputs pins (IEC61000-4-2 level 4)
- High reliability offered by monolithic integration
- High reducing of parasitic elements through integration and wafer level packaging
- Lead free package

Complies with the following standards:

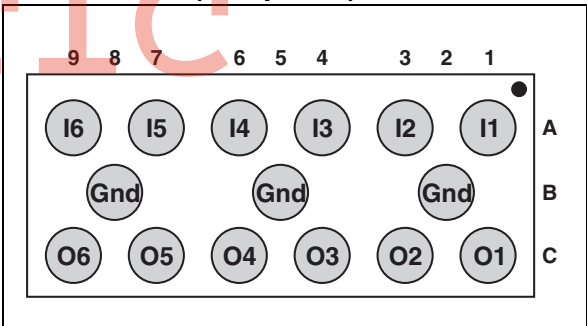
IEC 61000-4-2
 level 4 input pins 15 kV (air discharge)
 8 kV (contact discharge)
 MIL STD 883E - Method 3015-6 Class 3



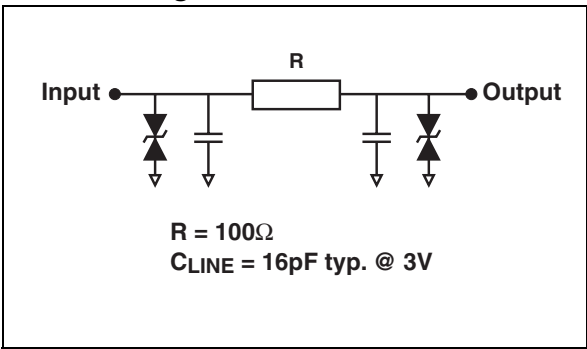
Order code

| Part Number | Marking |
|----------------|---------|
| EMIF06-VID01C2 | GR |

Pin identities (bump side)



Circuit configuration



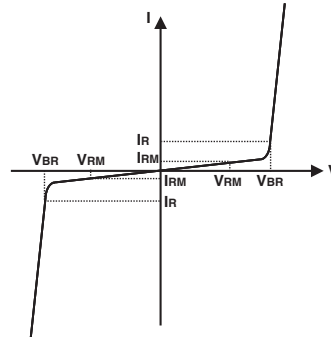
1 Characteristics

Table 1. Absolute Ratings (limiting values)

| Symbol | Parameter and test conditions | Value | Unit |
|-----------|-------------------------------|---------------|------|
| T_j | Maximum junction temperature | 125 | °C |
| T_{op} | Operating temperature range | - 40 to + 85 | °C |
| T_{stg} | Storage temperature range | - 55 to + 150 | °C |

Table 2. Electrical Characteristics ($T_{amb} = 25^\circ C$)

| Symbol | Parameter |
|------------|--|
| V_{BR} | Breakdown voltage |
| I_{RM} | Leakage current @ V_{RM} |
| V_{RM} | Stand-off voltage |
| R | Series resistance between Input and Output |
| C_{line} | Input capacitance per line |



| Symbol | Test conditions | Min. | Typ. | Max. | Unit |
|------------|--|------|------|------|----------|
| V_{BR} | $I_R = 1 \text{ mA}$ | 6 | 8 | 10 | V |
| I_{RM} | $V_{RM} = 3 \text{ V per line}$ | | | 500 | nA |
| R | $I = 10 \text{ mA}$ | 80 | 100 | 120 | Ω |
| C_{line} | $V_R = 3 \text{ V DC}$ 1 MHz $V_{OSC} = 30 \text{ mV}$ | | 16 | 19 | pF |

Figure 1. S21 (db) attenuation measurement Figure 2. Analog crosstalk measurement

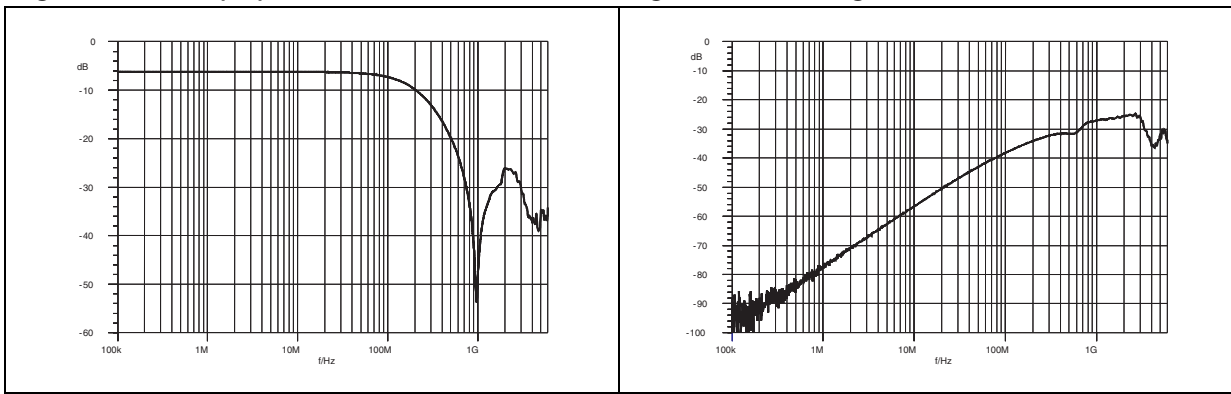


Figure 3. ESD response to IEC 61000-4-2 (+15kV air discharge) on one input (Vin) and on one output (Vout) Figure 4. ESD response to IEC 61000-4-2 (-15kV air discharge) on one input (Vin) and on one output (Vout)

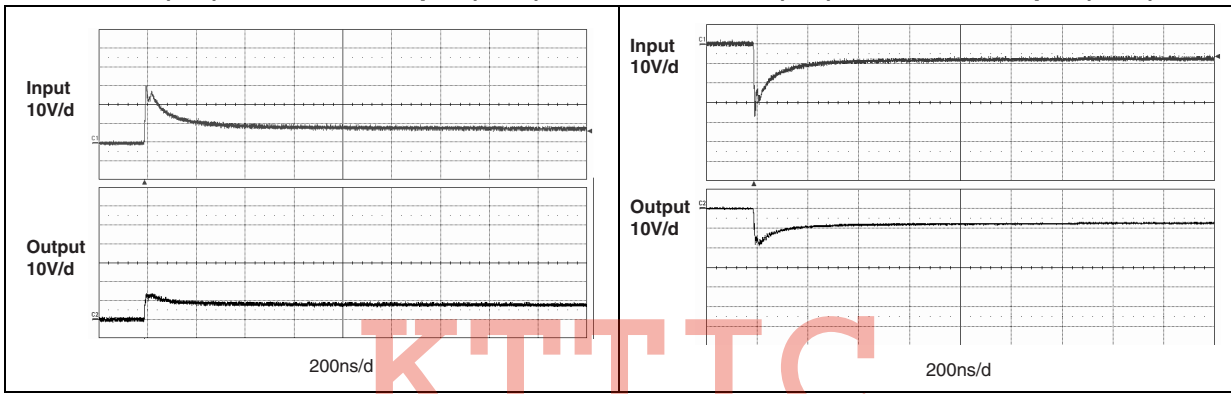
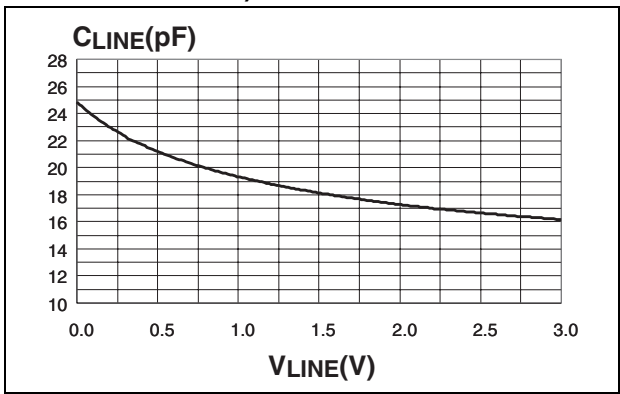
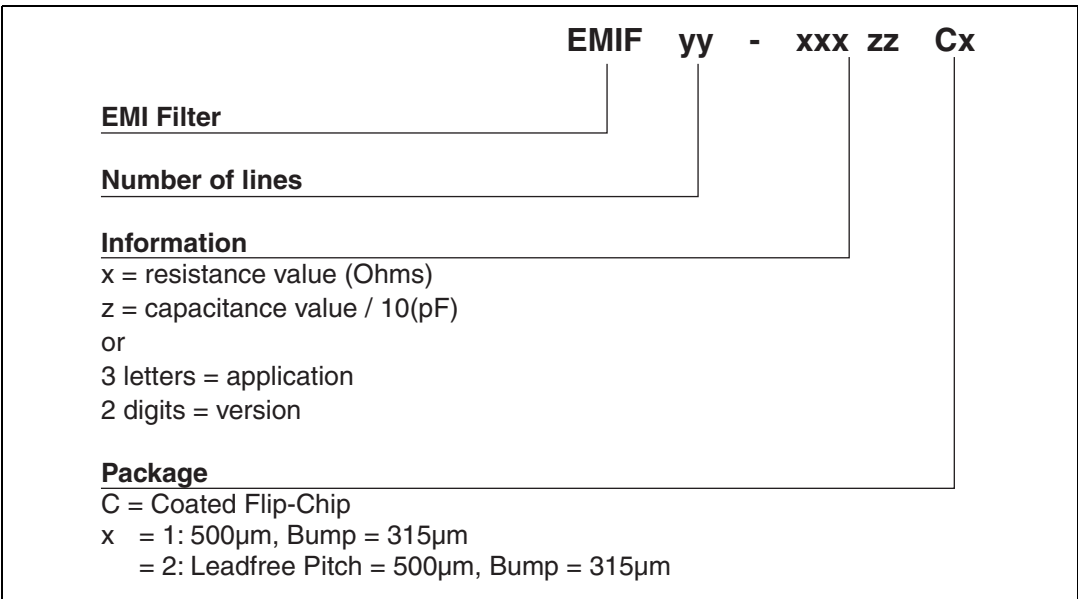


Figure 5. Junction capacitance versus reverse voltage applied (typical values)



2 Ordering information scheme



3 Package information

Figure 6. Flip-Chip Dimensions

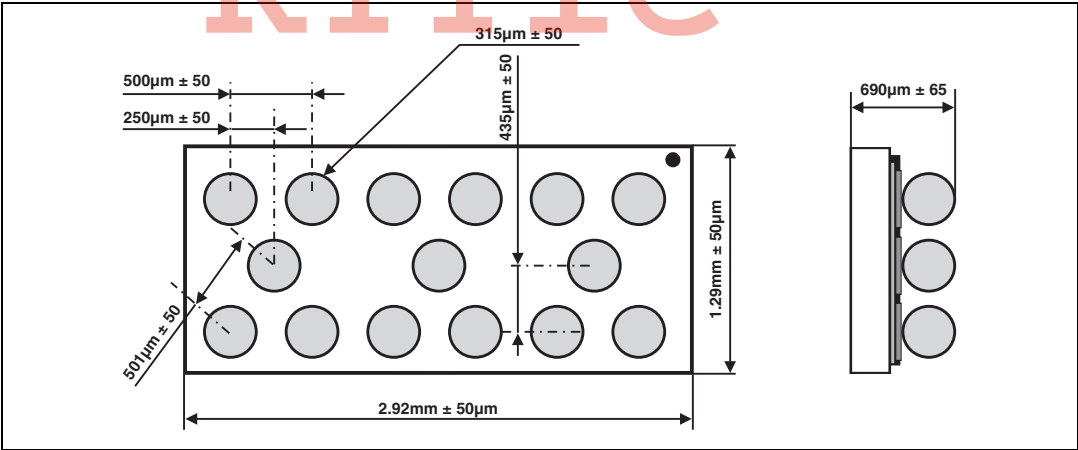


Figure 7. Footprint recommendations Figure 8. Marking

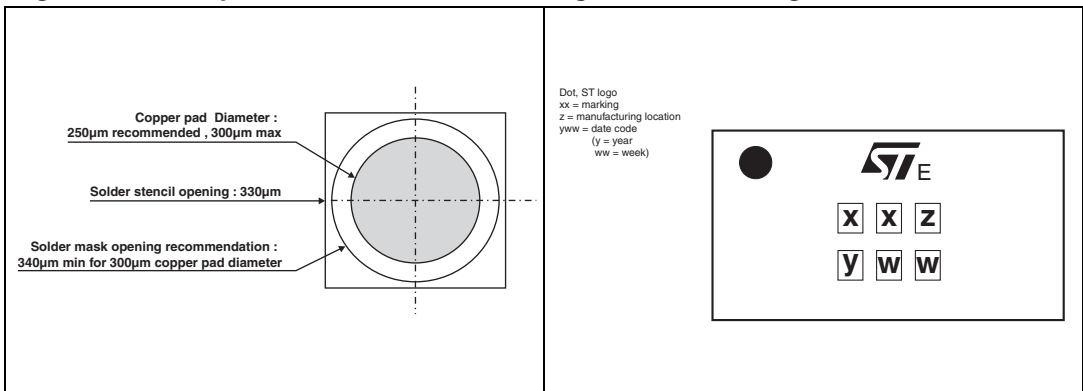
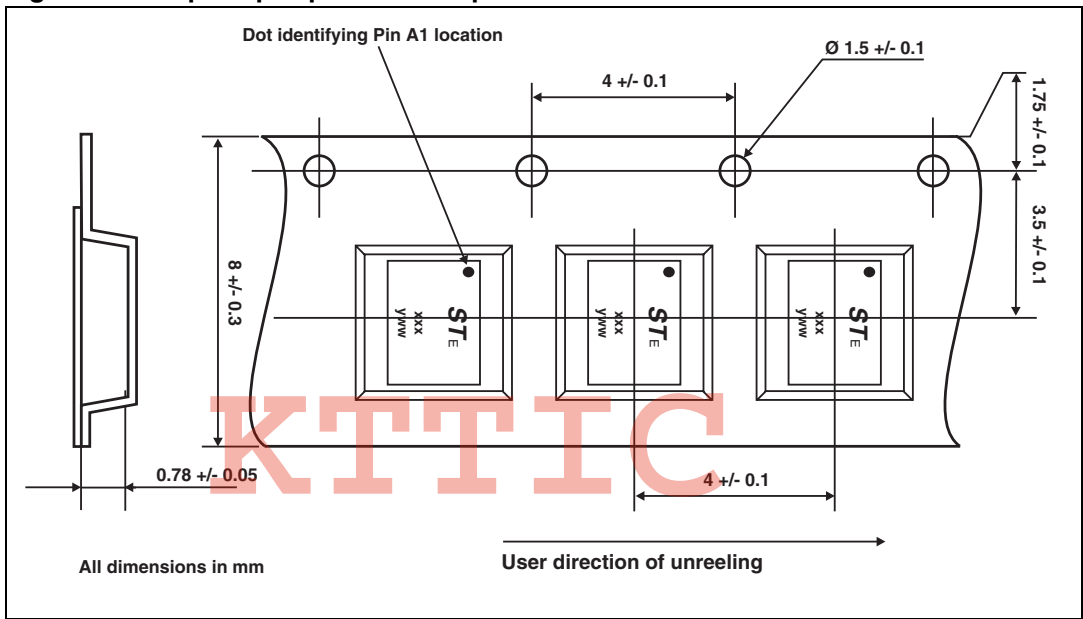


Figure 9. Flip-Chip Tape and reel specifications



In order to meet environmental requirements, ST offers these devices in ECOPACK® packages. These packages have a lead-free second level interconnect. The category of second level interconnect is marked on the package and on the inner box label, in compliance with JEDEC Standard JESD97. The maximum ratings related to soldering conditions are also marked on the inner box label. ECOPACK is an ST trademark. ECOPACK specifications are available at: www.st.com.

Note: More packing informations are available in the application note
 AN1235: "Flip-Chip: Package description and recommendations for use"
 AN1751: "EMI Filters: Recommendations and measurements"

4 Ordering information

| Ordering code | Marking | Package | Weight | Base qty | Delivery mode |
|----------------|---------|-----------|--------|----------|------------------|
| EMIF06-VID01C2 | GR | Flip-Chip | 5.9 mg | 5000 | Tape and reel 7" |

5 Revision history

| Date | Revision | Changes |
|-------------|----------|--|
| 12-Aug-2005 | 1 | First issue. |
| 01-Jun-2006 | 2 | Reformatted to current standards. Modified marking illustration to remove dimensions. Depth dimension changed in Figure 9. |

KTTIC

Please Read Carefully:

Information in this document is provided solely in connection with ST products. STMicroelectronics NV and its subsidiaries ("ST") reserve the right to make changes, corrections, modifications or improvements, to this document, and the products and services described herein at any time, without notice.

All ST products are sold pursuant to ST's terms and conditions of sale.

Purchasers are solely responsible for the choice, selection and use of the ST products and services described herein, and ST assumes no liability whatsoever relating to the choice, selection or use of the ST products and services described herein.

No license, express or implied, by estoppel or otherwise, to any intellectual property rights is granted under this document. If any part of this document refers to any third party products or services it shall not be deemed a license grant by ST for the use of such third party products or services, or any intellectual property contained therein or considered as a warranty covering the use in any manner whatsoever of such third party products or services or any intellectual property contained therein.

UNLESS OTHERWISE SET FORTH IN ST'S TERMS AND CONDITIONS OF SALE ST DISCLAIMS ANY EXPRESS OR IMPLIED WARRANTY WITH RESPECT TO THE USE AND/OR SALE OF ST PRODUCTS INCLUDING WITHOUT LIMITATION IMPLIED WARRANTIES OF MERCHANTABILITY, FITNESS FOR A PARTICULAR PURPOSE (AND THEIR EQUIVALENTS UNDER THE LAWS OF ANY JURISDICTION), OR INFRINGEMENT OF ANY PATENT, COPYRIGHT OR OTHER INTELLECTUAL PROPERTY RIGHT.

UNLESS EXPRESSLY APPROVED IN WRITING BY AN AUTHORIZED REPRESENTATIVE OF ST, ST PRODUCTS ARE NOT DESIGNED, AUTHORIZED OR WARRANTED FOR USE IN MILITARY, AIR CRAFT, SPACE, LIFE SAVING, OR LIFE SUSTAINING APPLICATIONS, NOR IN PRODUCTS OR SYSTEMS, WHERE FAILURE OR MALFUNCTION MAY RESULT IN PERSONAL INJURY, DEATH, OR SEVERE PROPERTY OR ENVIRONMENTAL DAMAGE.

Resale of ST products with provisions different from the statements and/or technical features set forth in this document shall immediately void any warranty granted by ST for the ST product or service described herein and shall not create or extend in any manner whatsoever, any liability of ST.

ST and the ST logo are trademarks or registered trademarks of ST in various countries.

Information in this document supersedes and replaces all information previously supplied.

The ST logo is a registered trademark of STMicroelectronics. All other names are the property of their respective owners.

© 2006 STMicroelectronics - All rights reserved

STMicroelectronics group of companies

Australia - Belgium - Brazil - Canada - China - Czech Republic - Finland - France - Germany - Hong Kong - India - Israel - Italy - Japan - Malaysia - Malta - Morocco - Singapore - Spain - Sweden - Switzerland - United Kingdom - United States of America

www.st.com

