

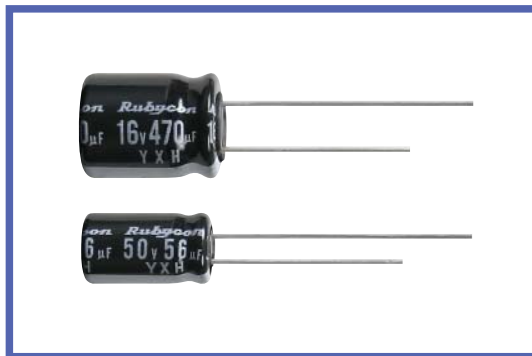


**YXH SERIES**

105°C High ripple current. Long Life.

◆ **FEATURES**

- Low impedance at 100kHz with selected materials.
- Load Life : 105°C 4000~10000hours.
- RoHS compliance.



◆ **SPECIFICATIONS**

Items	Characteristics																											
Category Temperature Range	-40 ~ +105°C																											
Rated Voltage Range	6.3~100V.DC																											
Capacitance Tolerance	± 20%(20°C, 120Hz)																											
Leakage Current(MAX)	I=0.01CV or 3µA whichever is greater. (After 2 minutes) I=Leakage Current(µA)    C=Rated Capacitance(µF)    V=Rated Voltage(V)																											
Dissipation Factor(MAX) (tanδ)	<table border="1"> <thead> <tr> <th>Rated Voltage (V)</th> <th>6.3</th> <th>10</th> <th>16</th> <th>25</th> <th>35</th> <th>50</th> <th>63</th> <th>100</th> </tr> </thead> <tbody> <tr> <td>(20°C, 120Hz)</td> <td>0.22</td> <td>0.19</td> <td>0.16</td> <td>0.14</td> <td>0.12</td> <td>0.10</td> <td>0.09</td> <td>0.08</td> </tr> </tbody> </table> <p>When rated capacitance is over 1000µF, tanδ shall be added 0.02 to the listed value with increase of every 1000µF.</p>	Rated Voltage (V)	6.3	10	16	25	35	50	63	100	(20°C, 120Hz)	0.22	0.19	0.16	0.14	0.12	0.10	0.09	0.08									
Rated Voltage (V)	6.3	10	16	25	35	50	63	100																				
(20°C, 120Hz)	0.22	0.19	0.16	0.14	0.12	0.10	0.09	0.08																				
Endurance	<p>After life test with rated ripple current at conditions stated in the table below, the capacitors shall meet the following requirements.</p> <table border="1"> <thead> <tr> <th>Capacitance Change</th> <td>Within ±25% of the initial value.</td> </tr> <tr> <th>Dissipation Factor</th> <td>Not more than 200% of the specified value.</td> </tr> <tr> <th>Leakage Current</th> <td>Not more than the specified value.</td> </tr> </thead> </table> <table border="1"> <thead> <tr> <th rowspan="2">Case Size</th> <th colspan="2">Life Time (hrs)</th> </tr> <tr> <th>6.3~10WV</th> <th>16~100WV</th> </tr> </thead> <tbody> <tr> <td>φ D≤6.3</td> <td>4000</td> <td>5000</td> </tr> <tr> <td>φ D=8,10</td> <td>6000</td> <td>7000</td> </tr> <tr> <td>φ D≥12.5</td> <td>8000</td> <td>10000</td> </tr> </tbody> </table>	Capacitance Change	Within ±25% of the initial value.	Dissipation Factor	Not more than 200% of the specified value.	Leakage Current	Not more than the specified value.	Case Size	Life Time (hrs)		6.3~10WV	16~100WV	φ D≤6.3	4000	5000	φ D=8,10	6000	7000	φ D≥12.5	8000	10000							
Capacitance Change	Within ±25% of the initial value.																											
Dissipation Factor	Not more than 200% of the specified value.																											
Leakage Current	Not more than the specified value.																											
Case Size	Life Time (hrs)																											
	6.3~10WV	16~100WV																										
φ D≤6.3	4000	5000																										
φ D=8,10	6000	7000																										
φ D≥12.5	8000	10000																										
Low Temperature Stability Impedance Ratio(MAX)	<table border="1"> <thead> <tr> <th>Rated Voltage (V)</th> <th>6.3</th> <th>10</th> <th>16</th> <th>25</th> <th>35</th> <th>50</th> <th>63</th> <th>100</th> </tr> </thead> <tbody> <tr> <td>Z(-25°C)/Z(20°C)</td> <td>4</td> <td>3</td> <td>2</td> <td>2</td> <td>2</td> <td>2</td> <td>2</td> <td>2</td> </tr> <tr> <td>Z(-40°C)/Z(20°C)</td> <td>8</td> <td>6</td> <td>4</td> <td>3</td> <td>3</td> <td>3</td> <td>3</td> <td>3</td> </tr> </tbody> </table> <p>(120Hz)</p>	Rated Voltage (V)	6.3	10	16	25	35	50	63	100	Z(-25°C)/Z(20°C)	4	3	2	2	2	2	2	2	Z(-40°C)/Z(20°C)	8	6	4	3	3	3	3	3
Rated Voltage (V)	6.3	10	16	25	35	50	63	100																				
Z(-25°C)/Z(20°C)	4	3	2	2	2	2	2	2																				
Z(-40°C)/Z(20°C)	8	6	4	3	3	3	3	3																				

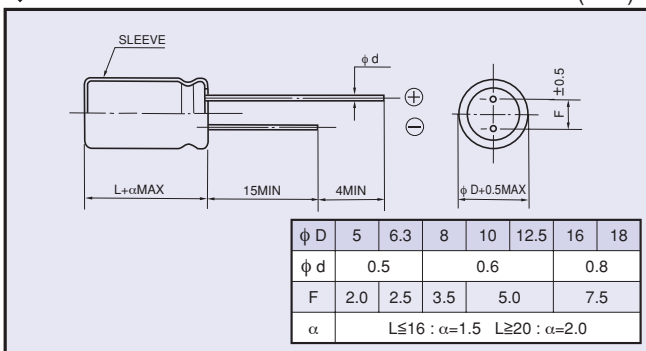
◆ **MULTIPLIER FOR RIPPLE CURRENT**

Frequency coefficient

Frequency (Hz)	120	1k	10k	100k≤
6.8~33µF	0.42	0.70	0.90	1.00
39~270µF	0.50	0.73	0.92	1.00
330~680µF	0.55	0.77	0.94	1.00
820~1800µF	0.60	0.80	0.96	1.00
2200~18000µF	0.70	0.85	0.98	1.00

◆ **DIMENSIONS**

(mm)



◆ **PART NUMBER**

   YXH                          D×L  
 Rated Voltage    Series    Rated Capacitance    Capacitance Tolerance    Option    Lead Forming    Case Size



◆ TANDARD SIZE

Rated Voltage (V·DC)	Rated capacitance (μF)	Size φ D×L(mm)	Rated ripple current (mA r.m.s./105°C, 100kHz)	Impedance(Ω MAX)	
				20°C, 100kHz	-10°C, 100kHz
6.3 (0J)	150	5×11	210	0.58	2.3
	330	6.3×11	340	0.22	0.87
	680	8×11.5	640	0.13	0.52
	820	10×12.5	865	0.080	0.32
	1000	8×16	840	0.087	0.35
	1200	8×20	1050	0.069	0.27
	1200	10×16	1210	0.060	0.24
	1500	10×20	1400	0.046	0.18
	1800	12.5×16	1450	0.049	0.16
	2200	10×23	1650	0.042	0.17
	2700	10×28	1910	0.031	0.12
	2700	16×16	1940	0.042	0.12
	3300	12.5×20	1900	0.035	0.12
	3900	12.5×25	2230	0.027	0.089
	3900	18×16	2210	0.043	0.11
	4700	12.5×30	2650	0.024	0.078
	5600	12.5×35	2880	0.020	0.065
	5600	16×20	2530	0.027	0.078
	6800	12.5×40	3350	0.017	0.056
	6800	16×25	2930	0.021	0.060
	6800	18×20	2860	0.026	0.067
	8200	16×31.5	3450	0.017	0.050
	10000	16×35.5	3610	0.015	0.044
	10000	18×25	3140	0.019	0.049
12000	16×40	4080	0.013	0.038	
12000	18×31.5	4170	0.015	0.040	
15000	18×35.5	4220	0.014	0.038	
18000	18×40	4280	0.012	0.032	
10 (1A)	100	5×11	210	0.58	2.3
	220	6.3×11	340	0.22	0.87
	470	8×11.5	640	0.13	0.52
	680	8×16	840	0.087	0.35
	680	10×12.5	865	0.080	0.32
	1000	8×20	1050	0.069	0.27
	1000	10×16	1210	0.060	0.24
	1200	10×20	1400	0.046	0.18
	1500	10×23	1650	0.042	0.17
	1500	12.5×16	1450	0.049	0.16
	2200	10×28	1910	0.031	0.12
	2200	12.5×20	1900	0.035	0.12
	2200	16×16	1940	0.042	0.12
	2700	18×16	2210	0.043	0.11
	3300	12.5×25	2230	0.027	0.089
	3900	12.5×30	2650	0.024	0.078
	3900	16×20	2530	0.027	0.078
	4700	12.5×35	2880	0.020	0.065
	5600	12.5×40	3350	0.017	0.056
	5600	16×25	2930	0.021	0.060
	5600	18×20	2860	0.026	0.067
	6800	16×31.5	3450	0.017	0.050
	6800	18×25	3140	0.019	0.049
	8200	16×35.5	3610	0.015	0.044
8200	18×31.5	4170	0.015	0.040	
10000	16×40	4080	0.013	0.038	
10000	18×35.5	4220	0.014	0.038	
12000	18×40	4280	0.012	0.032	



◆ STANDARD SIZE

Rated Voltage (V·DC)	Rated capacitance (μF)	Size φ D×L(mm)	Rated ripple current (mA r.m.s./105°C, 100kHz)	Impedance(Ω MAX)	
				20°C, 100kHz	-10°C, 100kHz
16 (1C)	56	5×11	210	0.58	2.3
	120	6.3×11	340	0.22	0.87
	330	8×11.5	640	0.13	0.52
	470	8×16	840	0.087	0.35
	470	10×12.5	865	0.080	0.32
	680	8×20	1050	0.069	0.27
	680	10×16	1210	0.060	0.24
	1000	10×20	1400	0.046	0.18
	1000	12.5×16	1450	0.049	0.16
	1200	10×23	1650	0.042	0.17
	1500	10×28	1910	0.031	0.12
	1500	12.5×20	1900	0.035	0.12
	1500	16×16	1940	0.042	0.12
	2200	12.5×25	2230	0.027	0.089
	2200	18×16	2210	0.043	0.11
	2700	12.5×30	2650	0.024	0.078
	2700	16×20	2530	0.027	0.078
	3300	12.5×35	2880	0.020	0.065
	3900	12.5×40	3350	0.017	0.056
	3900	16×25	2930	0.021	0.060
	3900	18×20	2860	0.026	0.067
	4700	16×31.5	3450	0.017	0.050
	4700	18×25	3140	0.019	0.049
	5600	16×35.5	3610	0.015	0.044
5600	18×31.5	4170	0.015	0.040	
6800	16×40	4080	0.013	0.038	
8200	18×35.5	4220	0.014	0.038	
10000	18×40	4280	0.012	0.032	
25 (1E)	47	5×11	210	0.58	2.3
	100	6.3×11	340	0.22	0.87
	220	8×11.5	640	0.13	0.52
	330	8×16	840	0.087	0.35
	330	10×12.5	865	0.080	0.32
	470	8×20	1050	0.069	0.27
	470	10×16	1210	0.060	0.24
	680	10×20	1400	0.046	0.18
	680	12.5×16	1450	0.049	0.16
	820	10×23	1650	0.042	0.17
	1000	10×28	1910	0.031	0.12
	1000	12.5×20	1900	0.035	0.12
	1000	16×16	1940	0.042	0.12
	1200	18×16	2210	0.043	0.11
	1500	12.5×25	2230	0.027	0.089
	1800	12.5×30	2650	0.024	0.078
	1800	16×20	2530	0.027	0.078
	2200	12.5×35	2880	0.020	0.065
	2200	18×20	2860	0.026	0.067
	2700	12.5×40	3350	0.017	0.056
	2700	16×25	2930	0.021	0.060
	3300	16×31.5	3450	0.017	0.050
	3300	18×25	3140	0.019	0.049
	3900	16×35.5	3610	0.015	0.044
3900	18×31.5	4170	0.015	0.040	
4700	16×40	4080	0.013	0.038	
4700	18×35.5	4220	0.014	0.038	
5600	18×40	4280	0.012	0.032	



◆ STANDARD SIZE

Rated Voltage (V·DC)	Rated capacitance (μF)	Size φ D×L(mm)	Rated ripple current (mA r.m.s./105°C, 100kHz)	Impedance(Ω MAX)	
				20°C, 100kHz	-10°C, 100kHz
35 (1V)	33	5×11	210	0.58	2.3
	56	6.3×11	340	0.22	0.87
	150	8×11.5	640	0.13	0.52
	220	8×16	840	0.087	0.35
	220	10×12.5	865	0.080	0.32
	270	8×20	1050	0.069	0.27
	330	10×16	1210	0.060	0.24
	470	10×20	1400	0.046	0.18
	470	12.5×16	1450	0.049	0.16
	560	10×23	1650	0.042	0.17
	680	10×28	1910	0.031	0.12
	680	12.5×20	1900	0.035	0.12
	680	16×16	1940	0.042	0.12
	1000	12.5×25	2230	0.027	0.089
	1000	18×16	2210	0.043	0.11
	1200	12.5×30	2650	0.024	0.078
	1200	16×20	2530	0.027	0.078
	1500	12.5×35	2880	0.020	0.065
	1800	12.5×40	3350	0.017	0.056
	1800	16×25	2930	0.021	0.060
	1800	18×20	2860	0.026	0.067
	2200	16×31.5	3450	0.017	0.050
	2200	18×25	3140	0.019	0.049
	2700	16×35.5	3610	0.015	0.044
2700	18×31.5	4170	0.015	0.040	
3300	16×40	4080	0.013	0.038	
3300	18×35.5	4220	0.014	0.038	
3900	18×40	4280	0.012	0.032	
50 (1H)	22	5×11	180	0.70	2.8
	56	6.3×11	295	0.30	1.2
	100	8×11.5	555	0.17	0.68
	120	8×16	730	0.12	0.48
	150	10×12.5	760	0.12	0.48
	180	8×20	910	0.091	0.36
	220	10×16	1050	0.084	0.34
	270	10×20	1220	0.060	0.24
	270	12.5×16	1260	0.061	0.20
	330	10×23	1440	0.055	0.22
	470	10×28	1690	0.043	0.17
	470	12.5×20	1660	0.045	0.15
	470	16×16	1690	0.055	0.17
	560	12.5×25	1950	0.034	0.11
	560	18×16	1930	0.054	0.15
	680	12.5×30	2310	0.030	0.10
	820	12.5×35	2510	0.025	0.083
	820	16×20	2210	0.034	0.10
	1000	12.5×40	2920	0.021	0.069
	1000	16×25	2555	0.025	0.075
	1000	18×20	2490	0.036	0.097
	1200	16×31.5	3010	0.022	0.066
	1200	18×25	2740	0.026	0.070
	1500	16×35.5	3150	0.019	0.057
	1800	16×40	3710	0.016	0.048
	1800	18×31.5	3635	0.021	0.057
	2200	18×35.5	3680	0.017	0.046
2700	18×40	3800	0.014	0.038	



◆ STANDARD SIZE

Rated Voltage (V·DC)	Rated capacitance (μF)	Size φ D×L(mm)	Rated ripple current (mA r.m.s./105°C, 100kHz)	Impedance(Ω MAX)	
				20°C, 100kHz	-10°C, 100kHz
63 (1J)	15	5×11	62	1.8	7.3
	33	6.3×11	126	1.0	4.1
	56	8×11.5	260	0.50	2.2
	82	8×16	335	0.36	1.7
	82	10×12.5	325	0.34	1.4
	120	8×20	408	0.26	1.3
	120	10×16	400	0.25	1.2
	180	10×20	518	0.17	0.76
	180	12.5×16	527	0.18	0.86
	220	10×23	595	0.16	0.67
	270	10×28	740	0.12	0.57
	270	12.5×20	765	0.13	0.52
	270	16×16	895	0.11	0.52
	330	12.5×25	875	0.096	0.36
	390	18×16	1030	0.096	0.40
	470	12.5×30	1010	0.080	0.34
	470	16×20	1130	0.077	0.32
	560	12.5×35	1140	0.070	0.30
	560	16×25	1350	0.062	0.23
	680	12.5×40	1280	0.060	0.25
	680	18×20	1300	0.072	0.27
	820	16×31.5	1650	0.049	0.18
	820	18×25	1560	0.052	0.19
	1000	16×35.5	1900	0.040	0.15
1000	18×31.5	1720	0.042	0.15	
1200	16×40	2130	0.036	0.13	
1200	18×35.5	1890	0.036	0.13	
1500	18×40	2470	0.032	0.12	
100 (2A)	6.8	5×11	62	1.8	7.3
	15	6.3×11	126	1.0	4.1
	27	8×11.5	260	0.50	2.2
	39	8×16	335	0.36	1.7
	47	10×12.5	325	0.34	1.4
	56	8×20	408	0.26	1.3
	68	10×16	400	0.25	1.2
	82	10×20	518	0.17	0.76
	82	12.5×16	527	0.18	0.86
	100	10×23	595	0.16	0.67
	120	10×28	740	0.12	0.57
	120	12.5×20	765	0.13	0.52
	150	16×16	895	0.11	0.52
	180	12.5×25	875	0.096	0.36
	180	18×16	1030	0.096	0.40
	220	12.5×30	1010	0.080	0.34
	220	16×20	1130	0.077	0.32
	270	12.5×35	1140	0.070	0.30
	270	16×25	1350	0.062	0.23
	330	12.5×40	1280	0.060	0.25
	330	18×20	1300	0.072	0.27
	390	16×31.5	1650	0.049	0.18
	390	18×25	1560	0.052	0.19
	470	16×35.5	1900	0.040	0.15
470	18×31.5	1720	0.042	0.15	
560	16×40	2130	0.036	0.13	
680	18×35.5	1890	0.036	0.13	
820	18×40	2470	0.032	0.12	