



VXH SERIES

NEW

105°C 5000hour Ultra Miniaturized, Snap-in Terminal Type

◆ **FEATURES**

- Load Life : 105°C 5000 hours.
- Smaller size than VXG series.
- RoHS compliance.



◆ **SPECIFICATIONS**

Items	Characteristics								
Category Temperature Range	-25 ~ +105°C								
Rated Voltage Range	200~450V.DC								
Capacitance Tolerance	± 20%(20°C, 120Hz)								
Leakage Current(MAX)	$I=3\sqrt{CV}$ (After 5 minutes application of rated voltage) I=Leakage Current(µA) V=Rated Voltage(V) C=Rated Capacitance(µF)								
Dissipation Factor(MAX) (tanδ)	<table border="1"> <tr> <td>Rated Voltage(V)</td> <td>200~450</td> <td>(20°C, 120Hz)</td> </tr> <tr> <td>tanδ</td> <td>0.20</td> <td></td> </tr> </table>	Rated Voltage(V)	200~450	(20°C, 120Hz)	tanδ	0.20			
Rated Voltage(V)	200~450	(20°C, 120Hz)							
tanδ	0.20								
Impedance Ratio(MAX)	<table border="1"> <tr> <td>Rated Voltage(V)</td> <td>200~250</td> <td>400~450</td> <td>(120Hz)</td> </tr> <tr> <td>Z(-25°C)/Z(20°C)</td> <td>3</td> <td>8</td> <td></td> </tr> </table>	Rated Voltage(V)	200~250	400~450	(120Hz)	Z(-25°C)/Z(20°C)	3	8	
Rated Voltage(V)	200~250	400~450	(120Hz)						
Z(-25°C)/Z(20°C)	3	8							
Endurance	<p>After applying rated voltage with rated ripple current for 5000 hrs at 105°C, the capacitors shall meet the following requirements.</p> <table border="1"> <tr> <td>Capacitance Change</td> <td>Within ±20% of the initial value.</td> </tr> <tr> <td>Dissipation Factor</td> <td>Not more than 200% of the specified value.</td> </tr> <tr> <td>Leakage Current</td> <td>Not more than the specified value.</td> </tr> </table>	Capacitance Change	Within ±20% of the initial value.	Dissipation Factor	Not more than 200% of the specified value.	Leakage Current	Not more than the specified value.		
Capacitance Change	Within ±20% of the initial value.								
Dissipation Factor	Not more than 200% of the specified value.								
Leakage Current	Not more than the specified value.								

◆ **MULTIPLIER FOR RIPPLE CURRENT**

Frequency coefficient

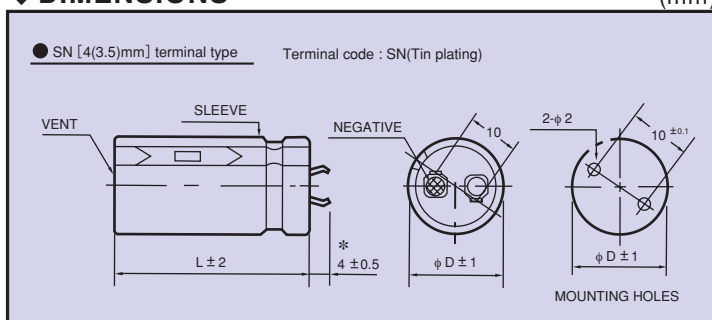
Frequency(Hz)		60	120	500	1k	10k ≤
Coefficient	200~250VV	0.80	1.00	1.20	1.30	1.50
	400~450VV	0.80	1.00	1.20	1.25	1.40

◆ **PART NUMBER**

 VXH **EFC** **SN** **DxL**
 Rated Voltage Series Rated Capacitance Capacitance Tolerance Option Terminal Code Case Size

◆ **DIMENSIONS**

(mm)





◆ STANDARD SIZE

Cap(μF)	WV φ D	200				220			
		φ 22	φ 25	φ 30	φ 35	φ 22	φ 25	φ 30	φ 35
270						22×25 1.04			
330	22×25	1.31				22×30 1.26			
390	22×30	1.32				22×30 1.47	25×25 1.21		
470	22×30	1.54	25×25 1.54			22×35 1.64	25×30 1.47		
560	22×35	1.75	25×30 1.75			22×40 1.86	25×30 1.71	30×25 1.41	
680	22×40	1.96	25×35 1.79	30×25 1.46		22×45 2.05	25×35 1.94	30×30 1.71	
820	22×50	2.15	25×40 2.03	30×30 1.77	35×25 1.59		25×40 2.16	30×30 1.99	35×25 1.89
1000			25×45 2.26	30×35 2.06	35×30 1.93		25×45 2.37	30×35 2.26	35×30 2.15
1200			25×50 2.34	30×40 2.34	35×30 2.22			30×40 2.51	35×35 2.48
1500				30×45 2.60	35×35 2.56			30×50 2.75	35×40 2.50
1800				30×50 2.85	35×40 2.85				35×50 3.04
2200					35×50 3.14				

Cap(μF)	WV φ D	250				400			
		φ 22	φ 25	φ 30	φ 35	φ 22	φ 25	φ 30	φ 35
120						22×25 0.79			
150						22×30 0.92	25×25 0.95		
180						22×35 1.05	25×30 1.10		
220						22×40 1.28	25×30 1.12	30×25 1.17	
270	22×25	1.18				22×45 1.40	25×35 1.40	30×30 1.36	
330	22×30	1.37	25×25 1.14				25×40 1.55	30×30 1.55	35×25 1.35
390	22×35	1.56	25×30 1.38				25×50 1.72	30×35 1.72	35×30 1.53
470	22×40	1.74	25×30 1.61					30×40 1.89	35×35 1.78
560	22×45	1.92	25×35 1.83	30×25 1.63				30×45 1.98	35×40 1.98
680	22×50	2.04	25×40 2.04	30×30 1.90	35×25 1.80				35×45 2.19
820			25×45 2.24	30×35 2.15	35×30 1.81				35×50 2.42
1000				30×40 2.39	35×35 2.38				
1200				30×45 2.62	35×40 2.39				
1500					35×45 2.92				
1800					35×50 3.04				

Cap(μF)	WV φ D	420				450			
		φ 22	φ 25	φ 30	φ 35	φ 22	φ 25	φ 30	φ 35
100	22×25	0.74				22×25 0.73			
120	22×30	0.86				22×30 0.84	25×25 0.87		
150	22×35	0.98	25×25 0.90			22×35 0.97	25×30 0.89		
180	22×40	1.09	25×30 1.05			22×40 1.08	25×30 1.03	30×25 1.08	
220	22×45	1.21	25×35 1.19	30×25 1.12		22×45 1.17	25×35 1.17	30×30 1.10	35×25 1.04
270	22×50	1.34	25×40 1.34	30×30 1.30	35×25 1.27		25×45 1.43	30×30 1.28	35×30 1.25
330			25×45 1.47	30×35 1.47	35×30 1.45		25×50 1.45	30×40 1.45	35×30 1.43
390				30×40 1.64	35×35 1.68			30×45 1.75	35×35 1.66
470				30×45 1.81	35×35 1.71			30×50 1.85	35×40 1.85
560				30×50 2.07	35×40 2.07				35×45 2.04
680					35×50 2.43				

↑ Ripple Current (A r.m.s./120Hz, 105°C)
 ↑ Case Size φ D×L(mm)