



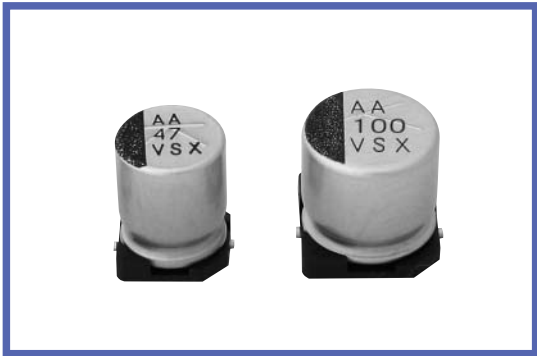
SXV SERIES

125°C High Temperature, Lead Free Reflow Soldering.

◆ **FEATURES**

- Load Life : 125°C 1000 hours.
- Lead free reflow soldering is available.
- Available for high density mounting.

- RoHS compliance.



◆ **SPECIFICATIONS**

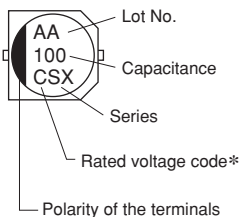
Items	Characteristics												
Category Temperature Range	-40 ~ +125°C												
Rated Voltage Range	10~50V.DC												
Capacitance Tolerance	± 20%(20°C, 120Hz)												
Leakage Current(MAX)	I=0.01CV or 3µA whichever is greater. (After 2 minutes application of rated voltage) I=Leakage Current(µA) C=Rated Capacitance(µF) V=Rated Voltage(V)												
Dissipation Factor(MAX) (tanδ)	<table border="1"> <thead> <tr> <th>Rated Voltage (V)</th> <th>10</th> <th>16</th> <th>25</th> <th>35</th> <th>50</th> </tr> </thead> <tbody> <tr> <td>tanδ</td> <td>0.35</td> <td>0.26</td> <td>0.20</td> <td>0.17</td> <td>0.15</td> </tr> </tbody> </table> (20°C, 120Hz)	Rated Voltage (V)	10	16	25	35	50	tanδ	0.35	0.26	0.20	0.17	0.15
Rated Voltage (V)	10	16	25	35	50								
tanδ	0.35	0.26	0.20	0.17	0.15								
Endurance	After applying rated voltage with rated ripple current for 1000 hrs at 125°C, the capacitors shall meet the following requirements. <table border="1"> <tbody> <tr> <td>Capacitance Change</td> <td>Within ± 30% of the initial value.</td> </tr> <tr> <td>Dissipation Factor</td> <td>Not more than 300% of the specified value.</td> </tr> <tr> <td>Leakage Current</td> <td>Not more than the specified value.</td> </tr> </tbody> </table>	Capacitance Change	Within ± 30% of the initial value.	Dissipation Factor	Not more than 300% of the specified value.	Leakage Current	Not more than the specified value.						
Capacitance Change	Within ± 30% of the initial value.												
Dissipation Factor	Not more than 300% of the specified value.												
Leakage Current	Not more than the specified value.												
Low Temperature Stability Impedance Ratio(MAX)	<table border="1"> <thead> <tr> <th>Rated Voltage (V)</th> <th>10</th> <th>16</th> <th>25</th> <th>35</th> <th>50</th> </tr> </thead> <tbody> <tr> <td>Z(-25°C)/Z(20°C)</td> <td>8</td> <td>8</td> <td>4</td> <td>3</td> <td>3</td> </tr> </tbody> </table> (120Hz)	Rated Voltage (V)	10	16	25	35	50	Z(-25°C)/Z(20°C)	8	8	4	3	3
Rated Voltage (V)	10	16	25	35	50								
Z(-25°C)/Z(20°C)	8	8	4	3	3								

◆ **MULTIPLIER FOR RIPPLE CURRENT**

Frequency coefficient

Frequency (Hz)	60(50)	120	500	1k	10k≤	
Coefficient	10~47µF	0.80	1.00	1.20	1.30	1.50
	100~470µF	0.80	1.00	1.10	1.15	1.20

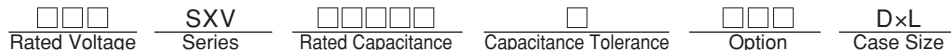
◆ **MARKING**



*Voltage Code

Rated Voltage (V)	10	16	25	35	50
Rated Voltage code	A	C	E	V	H

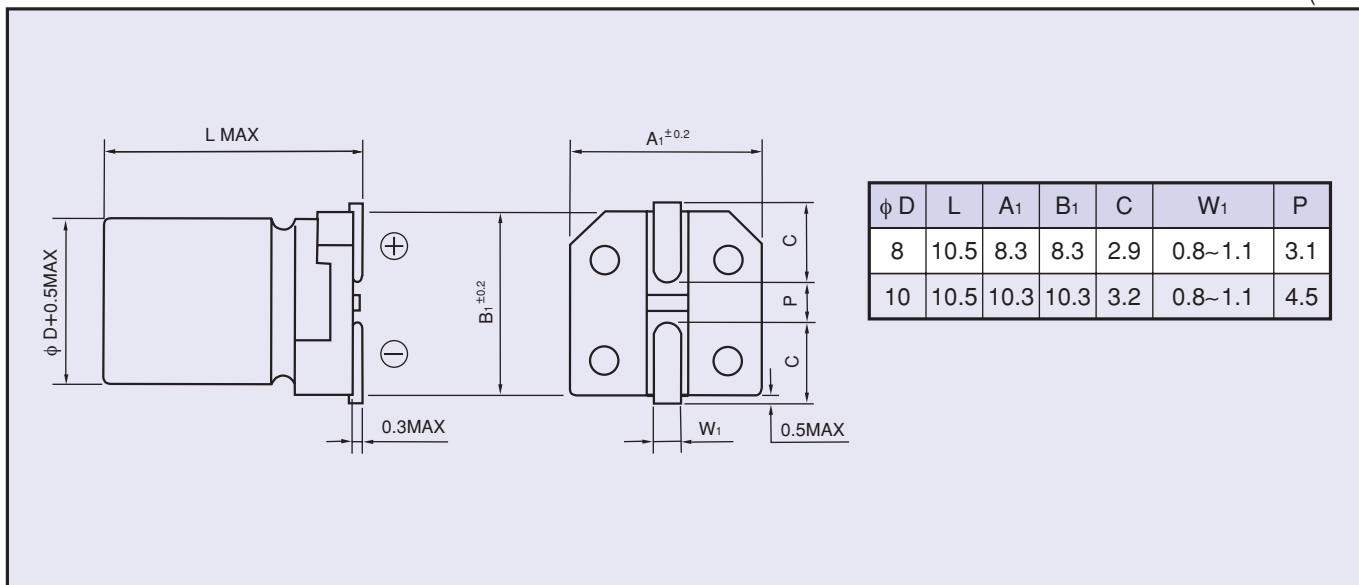
◆ **PART NUMBER**





◆ DIMENSIONS

(mm)



◆ STANDARD SIZE

Size ϕ D×L(mm), Ripple Current (mA r.m.s./125°C, 120Hz)

Cap(μF)	WV (V.DC)	10 (1A)		16 (1C)		25 (1E)		35 (1V)		50 (1H)	
		Size	Ripple	Size	Ripple	Size	Ripple	Size	Ripple	Size	Ripple
10										8×10.5	35
22										8×10.5	50
33								8×10.5	60	8×10.5 10×10.5	60 65
47						8×10.5	70	8×10.5 10×10.5	70 80	10×10.5	80
100				8×10.5	95	8×10.5 10×10.5	95 110	10×10.5	110		
220		8×10.5	120	8×10.5 10×10.5	125 140	10×10.5	145				
330		8×10.5 10×10.5	135 160	10×10.5	165						
470		10×10.5	175								