

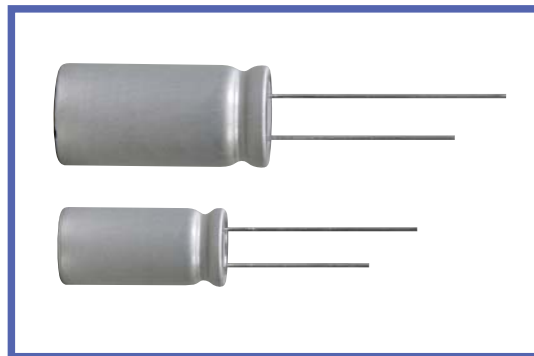


RX50 SERIES

Load Life : 150°C 1000 hours.

◆ FEATURES

- Solution for high temperature application such as automobile electronics.
- RoHS compliance.



◆ SPECIFICATIONS

Items	Characteristics																								
Category Temperature Range	-40 ~ +150°C																								
Rated Voltage Range	10~63V.DC																								
Capacitance Tolerance	± 20%(20°C, 120Hz)																								
Leakage Current(MAX)	I=0.01CV or 3 μA whichever is greater. (After 5 minutes application of rated voltage) I=Leakage Current(μA) C=Rated Capacitance(μF) V=Rated Voltage(V)																								
Dissipation Factor(MAX) (tanδ)	<table border="1"> <thead> <tr> <th>Rated Voltage (V)</th> <th>10</th> <th>16</th> <th>25</th> <th>35</th> <th>50</th> <th>63</th> <th>(20°C, 120Hz)</th> </tr> </thead> <tbody> <tr> <td>tanδ</td> <td>0.20</td> <td>0.16</td> <td>0.14</td> <td>0.12</td> <td>0.12</td> <td>0.11</td> <td></td> </tr> </tbody> </table>	Rated Voltage (V)	10	16	25	35	50	63	(20°C, 120Hz)	tanδ	0.20	0.16	0.14	0.12	0.12	0.11									
Rated Voltage (V)	10	16	25	35	50	63	(20°C, 120Hz)																		
tanδ	0.20	0.16	0.14	0.12	0.12	0.11																			
Endurance	<p>After applying rated voltage with rated ripple current for 1000hrs at 150°C, the capacitors shall meet the following requirements.</p> <table border="1"> <tbody> <tr> <td>Capacitance Change</td> <td>Within ±30% of the initial value.</td> </tr> <tr> <td>Dissipation Factor</td> <td>Not more than 300% of the specified value.</td> </tr> <tr> <td>Leakage Current</td> <td>Not more than the specified value.</td> </tr> </tbody> </table>	Capacitance Change	Within ±30% of the initial value.	Dissipation Factor	Not more than 300% of the specified value.	Leakage Current	Not more than the specified value.																		
Capacitance Change	Within ±30% of the initial value.																								
Dissipation Factor	Not more than 300% of the specified value.																								
Leakage Current	Not more than the specified value.																								
Low Temperature Stability Impedance Ratio(MAX)	<table border="1"> <thead> <tr> <th>Rated Voltage (V)</th> <th>10</th> <th>16</th> <th>25</th> <th>35</th> <th>50</th> <th>63</th> <th>(120Hz)</th> </tr> </thead> <tbody> <tr> <td>Z(-25°C)/Z(20°C)</td> <td>2</td> <td>2</td> <td>2</td> <td>2</td> <td>2</td> <td>2</td> <td></td> </tr> <tr> <td>Z(-40°C)/Z(20°C)</td> <td>4</td> <td>4</td> <td>4</td> <td>4</td> <td>4</td> <td>4</td> <td></td> </tr> </tbody> </table>	Rated Voltage (V)	10	16	25	35	50	63	(120Hz)	Z(-25°C)/Z(20°C)	2	2	2	2	2	2		Z(-40°C)/Z(20°C)	4	4	4	4	4	4	
Rated Voltage (V)	10	16	25	35	50	63	(120Hz)																		
Z(-25°C)/Z(20°C)	2	2	2	2	2	2																			
Z(-40°C)/Z(20°C)	4	4	4	4	4	4																			

◆ MULTIPLIER FOR RIPPLE CURRENT

Frequency coefficient

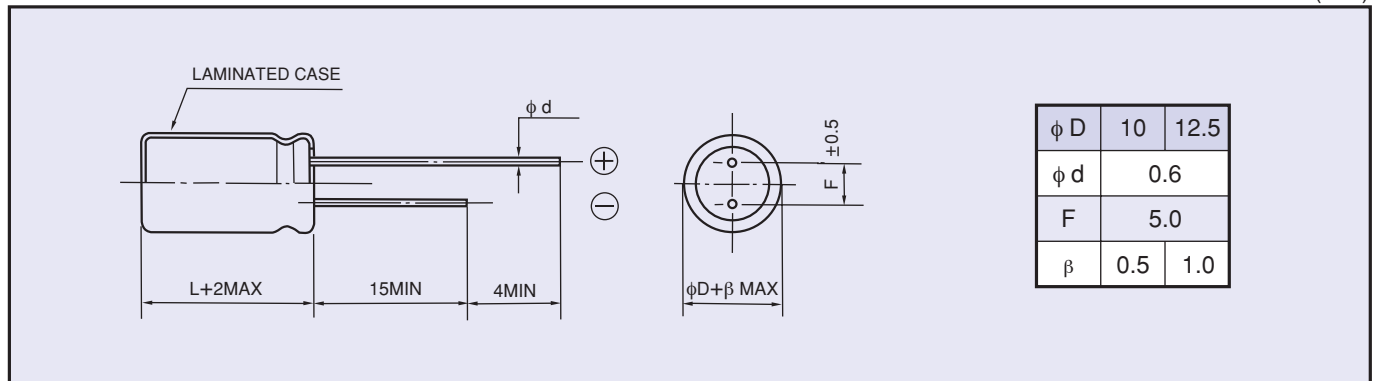
Frequency (Hz)	60(50)	120	1k	10k	100k≤
Coefficient	0.30	0.40	0.75	0.92	1.00
	0.40	0.50	0.80	0.95	1.00

◆ PART NUMBER

□□□ / RX50 / □□□□□ / □ / □□□ / □□ / D×L /
 Rated Voltage Series Rated Capacitance Capacitance Tolerance Option Lead Forming Case Size

◆ DIMENSIONS

(mm)



◆ STANDARD SIZE

Rated Voltage (V·DC)	Rated capacitance (μF)	Size $\phi D \times L$ (mm)	Rated ripple current (mA r.m.s./150°C, 100kHz)
10 (1A)	470	10×16	370
	1000	12.5×20	600
16 (1C)	330	10×16	370
	470	10×20	460
	1000	12.5×25	750
25 (1E)	220	10×16	370
	330	10×20	460
	470	12.5×20	600
35 (1V)	100	10×16	370
	220	10×20	460
	330	12.5×20	600
	470	12.5×25	750
50 (1H)	100	10×20	300
	220	12.5×20	400
	330	12.5×25	500
63 (1J)	47	10×16	220
	100	12.5×20	350