



NSKV SERIES

105°C Bi-polar, Lead Free Reflow Soldering.

FEATURES

- Lead Free reflow soldering is available.
- Available for high density mounting.
- RoHS compliance.



SPECIFICATIONS

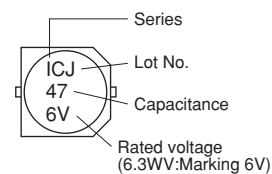
Items	Characteristics																								
Category Temperature Range	-55 ~ +105°C																								
Rated Voltage Range	6.3~50V.DC																								
Capacitance Tolerance	± 20%(20°C, 120Hz)																								
Leakage Current(MAX)	I=0.05CV or 10µA whichever is greater. (After 2 minutes application of rated voltage) I=Leakage Current(µA) C=Rated Capacitance(µF) V=Rated Voltage(V)																								
Dissipation Factor(MAX) (tanδ)	<table border="1"> <tr> <td>Rated Voltage (V)</td> <td>6.3</td> <td>10</td> <td>16</td> <td>25</td> <td>35</td> <td>50</td> <td>(20°C, 120Hz)</td> </tr> <tr> <td>tanδ</td> <td>0.35</td> <td>0.26</td> <td>0.24</td> <td>0.22</td> <td>0.20</td> <td>0.18</td> <td></td> </tr> </table>	Rated Voltage (V)	6.3	10	16	25	35	50	(20°C, 120Hz)	tanδ	0.35	0.26	0.24	0.22	0.20	0.18									
Rated Voltage (V)	6.3	10	16	25	35	50	(20°C, 120Hz)																		
tanδ	0.35	0.26	0.24	0.22	0.20	0.18																			
Endurance	<p>After applying rated voltage with rated ripple current for 1000hrs at 105°C, (The polarity shall be reversed every 250hrs.), the capacitors shall meet the following requirements.</p> <table border="1"> <tr> <td>Capacitance Change</td> <td>Within ± 25% of the initial value.</td> </tr> <tr> <td>Dissipation Factor</td> <td>Not more than 200% of the specified value.</td> </tr> <tr> <td>Leakage Current</td> <td>Not more than the specified value.</td> </tr> </table>	Capacitance Change	Within ± 25% of the initial value.	Dissipation Factor	Not more than 200% of the specified value.	Leakage Current	Not more than the specified value.																		
Capacitance Change	Within ± 25% of the initial value.																								
Dissipation Factor	Not more than 200% of the specified value.																								
Leakage Current	Not more than the specified value.																								
Low Temperature Stability Impedance Ratio(MAX)	<table border="1"> <tr> <td>Rated Voltage (V)</td> <td>6.3</td> <td>10</td> <td>16</td> <td>25</td> <td>35</td> <td>50</td> <td>(120Hz)</td> </tr> <tr> <td>Z(-25°C)/Z(20°C)</td> <td>4</td> <td>3</td> <td>2</td> <td>2</td> <td>2</td> <td>2</td> <td></td> </tr> <tr> <td>Z(-40°C)/Z(20°C)</td> <td>8</td> <td>8</td> <td>4</td> <td>4</td> <td>3</td> <td>3</td> <td></td> </tr> </table>	Rated Voltage (V)	6.3	10	16	25	35	50	(120Hz)	Z(-25°C)/Z(20°C)	4	3	2	2	2	2		Z(-40°C)/Z(20°C)	8	8	4	4	3	3	
Rated Voltage (V)	6.3	10	16	25	35	50	(120Hz)																		
Z(-25°C)/Z(20°C)	4	3	2	2	2	2																			
Z(-40°C)/Z(20°C)	8	8	4	4	3	3																			

MULTIPLIER FOR RIPPLE CURRENT

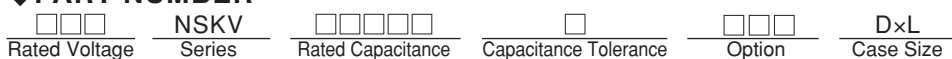
Frequency coefficient

Frequency (Hz)	60(50)	120	500	1k	10k≤
0.1~1µF	0.50	1.00	1.20	1.30	1.50
2.2~4.7µF	0.65	1.00	1.20	1.30	1.50
10~47µF	0.80	1.00	1.20	1.30	1.50

MARKING

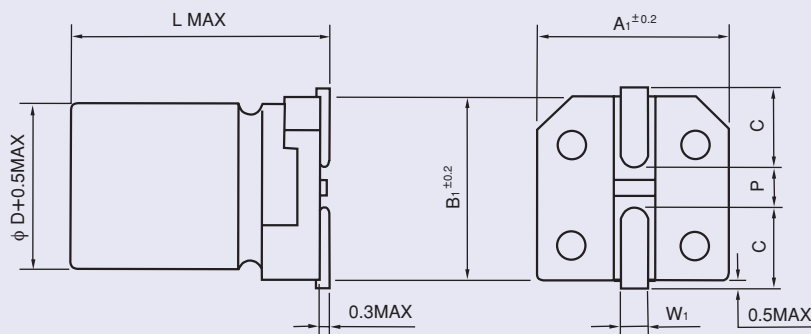


PART NUMBER



◆ DIMENSIONS

(mm)



ϕD	L	A ₁	B ₁	C	W ₁	P
4	5.5	4.3	4.3	1.8	0.5~0.8	1.0
5	5.5	5.3	5.3	2.2	0.5~0.8	1.3
6.3	5.5	6.6	6.6	2.7	0.5~0.8	1.8

◆ STANDARD SIZE

KTTIC

Size $\phi D \times L$ (mm), Ripple Current (mA r.m.s./105°C, 120Hz)

Cap(μF)	WV (V.DC)	6.3 (0J)		10 (1A)		16 (1C)		25 (1E)		35 (1V)		50 (1H)	
		Size	Ripple	Size	Ripple	Size	Ripple	Size	Ripple	Size	Ripple	Size	Ripple
0.1												4x5.5	1.0
0.22												4x5.5	2.0
0.33												4x5.5	2.8
0.47												4x5.5	4.0
1												4x5.5	8.4
2.2										4x5.5	8.4	5x5.5	13
3.3								4x5.5	10			5x5.5	17
4.7						4x5.5	12			5x5.5	18	6.3x5.5	20
10				4x5.5	17	5x5.5	23			6.3x5.5	29		
22		5x5.5	28			6.3x5.5	37						
33				6.3x5.5	35								
47		6.3x5.5	45										