

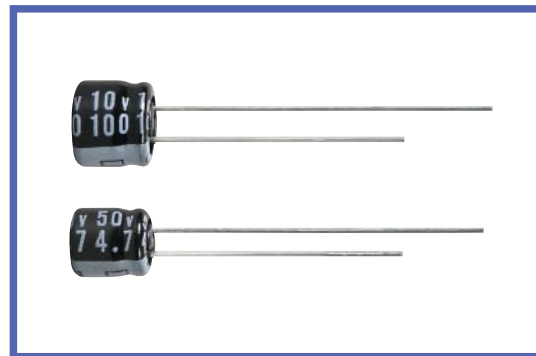


MH5 SERIES

105°C 5mm Height.

◆ **FEATURES**

- RoHS compliance.



◆ **SPECIFICATIONS**

Items	Characteristics																												
Category Temperature Range	-40 ~ +105°C																												
Rated Voltage Range	6.3~50V.DC																												
Capacitance Tolerance	± 20%(20°C, 120Hz)																												
Leakage Current(MAX)	I=0.01CV or 3µA whichever is greater. (After 2 minutes application of rated voltage) I=Leakage Current(µA) C=Rated Capacitance(µF) V=Rated Voltage(V)																												
Dissipation Factor(MAX) (tanδ)	<table border="1"> <thead> <tr> <th>Rated Voltage (V)</th> <th>6.3</th> <th>10</th> <th>16</th> <th>25</th> <th>35</th> <th>50</th> </tr> </thead> <tbody> <tr> <td>(20°C, 120Hz)</td> <td>0.28</td> <td>0.24</td> <td>0.20</td> <td>0.16</td> <td>0.13</td> <td>0.12</td> </tr> </tbody> </table>	Rated Voltage (V)	6.3	10	16	25	35	50	(20°C, 120Hz)	0.28	0.24	0.20	0.16	0.13	0.12														
Rated Voltage (V)	6.3	10	16	25	35	50																							
(20°C, 120Hz)	0.28	0.24	0.20	0.16	0.13	0.12																							
Endurance	<p>After applying rated voltage with rated ripple current for 1000 hrs at 105°C, the capacitors shall meet the following requirements.</p> <table border="1"> <tbody> <tr> <td>Capacitance Change</td> <td>Within ±25% of the initial value.</td> </tr> <tr> <td>Dissipation Factor</td> <td>Not more than 200% of the specified value.</td> </tr> <tr> <td>Leakage Current</td> <td>Not more than the specified value.</td> </tr> </tbody> </table>	Capacitance Change	Within ±25% of the initial value.	Dissipation Factor	Not more than 200% of the specified value.	Leakage Current	Not more than the specified value.																						
Capacitance Change	Within ±25% of the initial value.																												
Dissipation Factor	Not more than 200% of the specified value.																												
Leakage Current	Not more than the specified value.																												
Low Temperature Stability Impedance Ratio(MAX)	<table border="1"> <thead> <tr> <th>Rated Voltage (V)</th> <th>6.3</th> <th>10</th> <th>16</th> <th>25</th> <th>35</th> <th>50</th> </tr> </thead> <tbody> <tr> <td>(120Hz)</td> <td colspan="6"></td> </tr> <tr> <td>Z(-25°C)/Z(20°C)</td> <td>3</td> <td>3</td> <td>2</td> <td>2</td> <td>2</td> <td>2</td> </tr> <tr> <td>Z(-40°C)/Z(20°C)</td> <td>8</td> <td>5</td> <td>4</td> <td>3</td> <td>3</td> <td>3</td> </tr> </tbody> </table>	Rated Voltage (V)	6.3	10	16	25	35	50	(120Hz)							Z(-25°C)/Z(20°C)	3	3	2	2	2	2	Z(-40°C)/Z(20°C)	8	5	4	3	3	3
Rated Voltage (V)	6.3	10	16	25	35	50																							
(120Hz)																													
Z(-25°C)/Z(20°C)	3	3	2	2	2	2																							
Z(-40°C)/Z(20°C)	8	5	4	3	3	3																							

◆ **MULTIPLIER FOR RIPPLE CURRENT**

Frequency coefficient

Frequency (Hz)		60(50)	120	500	1k	10k≤
Coefficient	0.1~1µF	0.50	1.0	1.20	1.30	1.50
	2.2~4.7µF	0.65	1.0	1.20	1.30	1.50
	10~47µF	0.8	1.0	1.20	1.30	1.50
	100µF	0.8	1.0	1.10	1.15	1.20

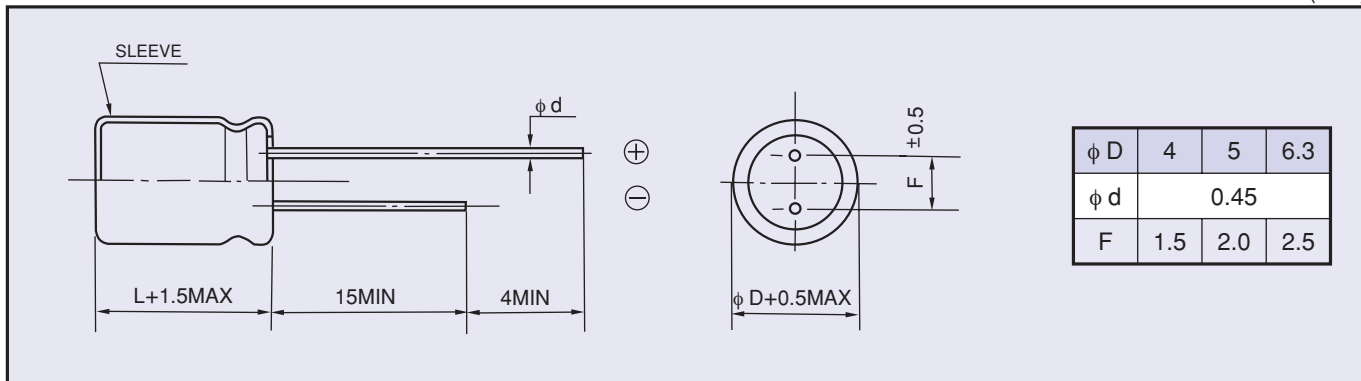
◆ **PART NUMBER**

□□□
MH5
□□□□□
□
□□□
□□
DxL
 Rated Voltage Series Rated Capacitance Capacitance Tolerance Option Lead Forming Case Size



◆ DIMENSIONS

(mm)



◆ STANDARD SIZE

Size $\phi D \times L$ (mm), Ripple Current (mA r.m.s./105°C, 120Hz)

Cap(μ F)	WV (V.DC)	6.3 (0J)		10 (1A)		16 (1C)		25 (1E)		35 (1V)		50 (1H)	
		Size	Ripple	Size	Ripple	Size	Ripple	Size	Ripple	Size	Ripple	Size	Ripple
0.1												4x5	1
0.22												4x5	2
0.33												4x5	3
0.47												4x5	4
1												4x5	8
2.2												4x5	13
3.3												4x5	14
4.7										4x5	17	5x5	18
10						4x5	20	5x5	22	5x5	24	6.3x5	28
22		4x5	23	5x5	28	5x5	31	6.3x5	44	6.3x5	48		
33		5x5	30	5x5	34	6.3x5	48	6.3x5	48				
47		5x5	37	6.3x5	52	6.3x5	56	6.3x5	56				
100		6.3x5	57	6.3x5	62	6.3x5	62						