



**HXC SERIES**

**105°C High Ripple, Snap-in Terminal Type**

**◆ FEATURES**

- Load Life : 105°C 2000 hours.
- Higher ripple current endurance than MXC series.
- RoHS compliance.



**◆ SPECIFICATIONS**

Items	Characteristics								
Category Temperature Range	-25~+105°C								
Rated Voltage Range	200, 400, 450V.DC								
Capacitance Tolerance	±20%(20°C,120Hz)								
Leakage Current(MAX)	$I = 3\sqrt{CV}$ (After 5 minutes application of rated voltage) $I = (\mu A)$ Leakage Current $V = (V)$ Rated Voltage $C = (\mu F)$ Rated Capacitance								
Dissipation Factor(MAX) (tanδ)	<table border="1"> <tr> <td>(V) Rated Voltage</td> <td>200~400</td> <td>450</td> <td>(20°C, 120Hz)</td> </tr> <tr> <td>tan δ</td> <td>0.15</td> <td>0.20</td> <td></td> </tr> </table>	(V) Rated Voltage	200~400	450	(20°C, 120Hz)	tan δ	0.15	0.20	
(V) Rated Voltage	200~400	450	(20°C, 120Hz)						
tan δ	0.15	0.20							
Impedance Ratio(MAX)	<table border="1"> <tr> <td>(V) Rated Voltage</td> <td>200</td> <td>400~450</td> <td>(120Hz)</td> </tr> <tr> <td>Z(-25°C)/Z(20°C)</td> <td>3</td> <td>8</td> <td></td> </tr> </table>	(V) Rated Voltage	200	400~450	(120Hz)	Z(-25°C)/Z(20°C)	3	8	
(V) Rated Voltage	200	400~450	(120Hz)						
Z(-25°C)/Z(20°C)	3	8							
Endurance	After applying rated voltage with rated ripple current for 2000hrs at 105°C, the capacitors shall meet the following requirements. <table border="1"> <tr> <td>Capacitance Change</td> <td>Within ±20% of the initial value.</td> </tr> <tr> <td>Dissipation Factor</td> <td>Not more than 200% of the specified value.</td> </tr> <tr> <td>Leakage Current</td> <td>Not more than the specified value.</td> </tr> </table>	Capacitance Change	Within ±20% of the initial value.	Dissipation Factor	Not more than 200% of the specified value.	Leakage Current	Not more than the specified value.		
Capacitance Change	Within ±20% of the initial value.								
Dissipation Factor	Not more than 200% of the specified value.								
Leakage Current	Not more than the specified value.								

**◆ MULTIPLIER FOR RIPPLE CURRENT**

Frequency coefficient

(Hz) Frequency		60(50)	120	500	1k	10k ≤
Coefficient	200WV	0.80	1.00	1.20	1.30	1.50
	400~450WV	0.80	1.00	1.20	1.25	1.40

**◆ PART NUMBER**

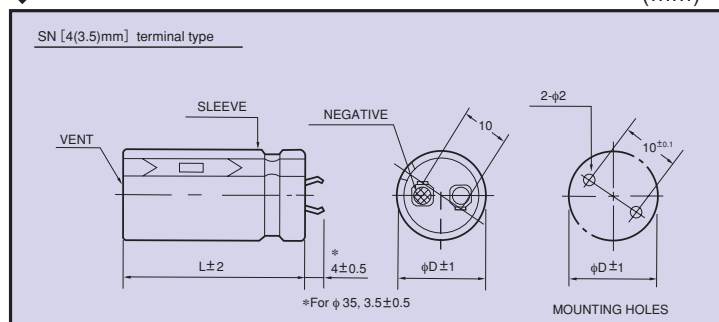
□□□    HXC    □□□□□    □    □□□    SN    D×L  
 Rated Voltage    Series    Rated Capacitance    Capacitance Tolerance    Option    Terminal Code    Case Size

**◆ Option**

	Code
PET Sleeve without plate	EFC
PVC Sleeve without plate	OOE
PVC Sleeve with plate	Blank

**◆ DIMENSIONS**

(mm)





◆ STANDARD SIZE

Cap ( $\mu$ F)	WV	$\phi$ D	200										
			$\phi$ 22		$\phi$ 25		$\phi$ 30		$\phi$ 35				
270			22x25	1.64									
330			22x30	1.89									
390			22x35	2.14	25x25	1.99							
470			22x40	2.41	25x30	2.32	30x25	2.27					
560			22x45	2.71	25x35	2.63	30x25	2.43					
680			22x50	3.06	25x35	2.81	30x30	2.82					
820					25x45	3.32	30x30	2.94	35x25	2.56			
1000					25x50	3.72	30x35	3.36	35x30	3.07			
1200							30x40	3.78	35x35	3.57			
1500							30x50	4.48	35x40	4.01			
1800									35x45	4.44			
2200									35x50	4.90			

Cap ( $\mu$ F)	WV	$\phi$ D	400										
			$\phi$ 22		$\phi$ 25		$\phi$ 30		$\phi$ 35				
82			22x30	0.81									
100			22x35	0.99	25x25	0.99							
120			22x40	1.19	25x30	1.19							
150			22x45	1.43	25x35	1.43	30x25	1.41					
180			22x50	1.60	25x40	1.61	30x30	1.61					
220					25x45	1.83	30x35	1.84					
270					25x50	2.06	30x40	2.10	35x30	2.00			
330							30x45	2.36	35x35	2.29			
390							30x50	2.62	35x40	2.56			
470									35x45	2.86			
560									35x50	3.15			

Cap ( $\mu$ F)	WV	$\phi$ D	450										
			$\phi$ 22		$\phi$ 25		$\phi$ 30		$\phi$ 35				
68			22x30	0.67									
82			22x35	0.81	25x25	0.81							
100			22x40	0.99	25x30	0.99							
120			22x45	1.19	25x35	1.19	30x25	1.19					
150					25x40	1.49	30x30	1.49	35x25	1.49			
180					25x45	1.68	30x35	1.70	35x25	1.61			
220					25x50	1.89	30x40	1.92	35x30	1.85			
270							30x45	2.18	35x35	2.12			
330							30x50	2.45	35x40	2.41			
390									35x45	2.67			
470									35x50	2.97			

↑ Ripple Current (A r.m.s./120Hz, 105°C)  
 ↑ Case Size  $\phi$  D x L (mm)