

GSW 200

FEATURES

- *Resonant switchers, power factor correction and main converter
- *Power factor correction up to 0.99, meeting IEC61000 -3-2(EN61000-3-2)
- *85 to 264VAC universal input
- *High efficiency up to 90%
- *Low EMI, Meeting FCC B, CISPR B
- *Thin type below 1U

SAFETY STANDARDS

- UL60950 Recognized
- CSA22.2 No.60950 Certified (cUL)
- EN60950 (NEMKO Certified)
- CE mark (LVD only)



APPLICATIONS

- *Data / information processing equipment
- *FA control equipment
- *Measuring, inspection and testing equipment
- *Communication equipment
- *Optical equipment
- *Peak Loads (for Motor Drive, Lamp) *6

KTTIC

GSW200 SPECIFICATIONS

ITEM		GSW200-12	GSW200-15	GSW200-24	GSW200-36
1	Rated output DC voltage	12 V	15 V	24 V	36 V
2	Rated output DC current (Peak *6)	16.7 A (33.4A)	13.4 A (26.7A)	8.4 A (16.7A)	5.6 A (11.1A)
3	Maximum output power (Peak *6)	200.4W(400.8W)	201.0W(400.5W)	201.6W(400.8W)	201.6W(399.6W)
4	Adjustable voltage range	*1 11.7 ~ 12.6V	14.7 ~ 15.8V	23.5 ~ 25.2V	35.3 ~ 37.7V
5	Efficiency (120/230VAC, TYP)	*1 85% / 86%	86% / 87%	87% / 88%	88% / 89%
6	Maximum ripple noise	80mVpp	100mVpp	150mVpp	200mVpp
7	Over current protection	*3 33.5A ~	27A ~	17A ~	11.5A ~
8	Over voltage protection	*4 13.8V ~	17.3V ~	27.6V ~	40V ~
9	Input voltage range	85V ~ 264V			
10	Input frequency range	47Hz ~ 63Hz			
11	Input current	*1 2.4A (100VAC), 1.0A(230VAC)			
12	Power factor	*1 0.99TYP (100VAC), 0.95TYP (230VAC)			
13	Inrush current	*2 20Apk MAX (120VAC), 40Apk MAX (240VAC)			
14	Hold-up time	*5 20msMIN			

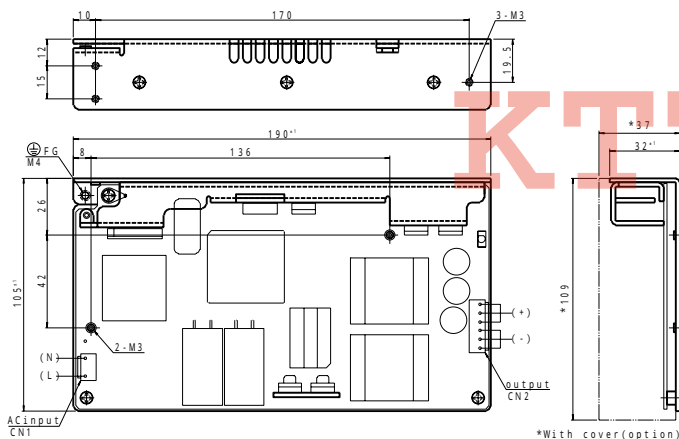
Notes

- *1 When maximum output is worked
- *2 When cold start works with rated voltage at 25°C ambient temperature
- *3 Recovers automatically
- *4 Recovers on input again
- *5 When maximum output is worked, after last AC line peak
- *6 (Peak) : Peak Loads for 10 seconds or less are acceptable. Input voltage range AC120V~AC264V only.

GSW200 GENERAL SPECIFICATIONS

ITEM		
1	Maximum line / load regulation	±0.5%
2	Voltage tolerance ratio	±3% at line, load, time, temperature
3	Operating temperature	-10 ~ 55°C (Refer to Output derating)
4	Operating humidity	30 ~ 90%RH (Non condensing)
5	Storage temperature	-30 ~ 85°C
6	Storage humidity	10 ~ 95%RH (Non condensing)
7	Cooling	Convection or forced air cooling (Refer to Output derating)
8	Electric strength voltages	Input – Output 3000VAC 1 minute, Input –FG 1500VAC 1 minute, Output –FG 500VAC 1 minute
9	Insulation resistance	100MΩ MIN DC500V 25°C 70%RH Input – Output, Input –FG, Output –FG
10	Leakage current	0.5mA MAX (240VAC, 50Hz)
11	Vibration	10 ~ 55Hz 2G (3 directions each 1 hour)
12	Shock	20ms 20G (3 directions each 3times)
13	Safety standards	UL60950, CSA60950 (cUL), EN60950 (NEMKO) Approvals
14	Conduction noise	Meeting FCC Class B, EN55022 Class B, VCCI Class B
15	Harmonic distortion	Meeting EN61000-3-2
16	Mains surge	Meeting EN61000-4-5 Level 3/4KV(CM), 2KV(DM)
17	Dimensions	105(W) 190(D) 32(H) mm/4.13“(W) 7.48”(D) 1.26”(H)
18	Weight	590g /1.30lb. TYP

GSW200 OUTLINE DRAWING



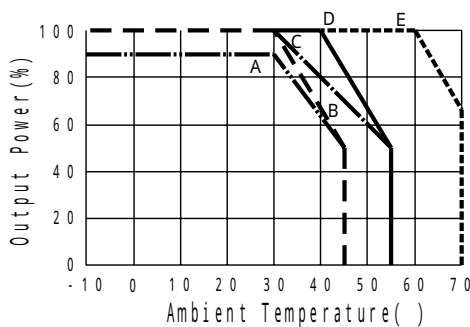
Connectors Used

Part Description	Part Name	Manufacturer	Q.T.Y
CN1 Pin Header (Input side)	B2P3-VH or T7094	JST EMUDEN	1
CN2 Pin Header (Output side)	B6P-VH or T7094	JST MUDEN	1

Matching Housings and Pins (Not included with the product)

Part Description	Part Name	Manufacturer	Q.T.Y
CN1 Socket Housing	B2P3-VH	JST	1
CN2 Socket Housing	B6P-VH	JST	1
(CN1, CN2) Terminal Pins	BVH-21T-P1.1	JST	8

GSW200 OUTPUT DERATING



- A: GSW200-12: Conv. With Cover(option)
- B: GSW200-15,24,36: Conv. With Cover(option)
- C: GSW200-12: Conv. Open Frame
- D: GSW200-15,24,36: Conv. Open Frame
- E: Recommended minimum air Vrcocity 0.7m3/minute

Mounting Direction (conv)

