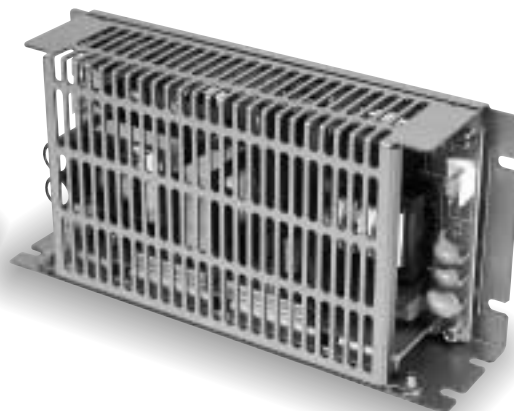
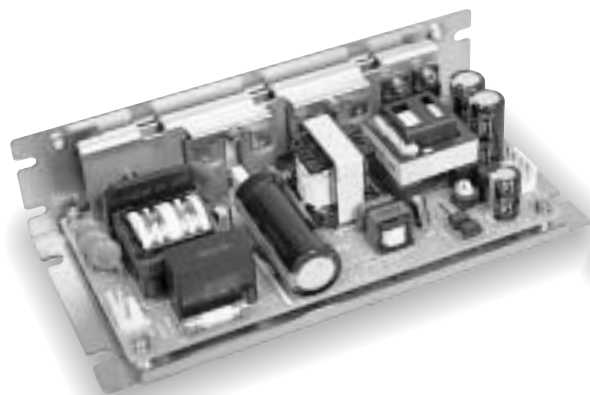


# GSW100



GSW 100

## FEATURES

- \* Resonant switchers, power factor correction and main converter
- \* Power factor correction up to 0.99, meeting IEC61000 -3-2(EN61000-3-2)
- \* 85 to 264VAC universal input
- \* High efficiency up to 90%
- \* Low EMI, meeting FCC B, CISPR B

## SAFETY STANDARDS

- UL1950 Recognized
- CSA22.2 No.950 Certified (cUL)
- EN60950 (NEMKO Certified)
- CE mark (LVD only)



## APPLICATIONS

- \*Data/information processing equipment
- \*FA control equipment
- \*Measuring, inspection and testing equipment
- \*Communication equipment
- \*Optical equipment
- \*Peak loads (for Motor Drive, Lamp) \*6

## GSW100 SPECIFICATIONS

ITEM		GSW100-5	GSW100-12	GSW100-15	GSW100-24
1	Rated output DC voltage	5V	12V	15V	24V
2	Rated output DC current (Peak *6)	20A (22A)	8.3A (15A)	6.7A (12A)	4.2A (7.5A)
3	Maximum output power (Peak *6)	100W (110W)	99.6W (180W)	100.5W (180W)	100.8W (180W)
4	Adjustable voltage range *1	4.9 ~ 5.25V	11.7 ~ 12.6V	14.7 ~ 15.75V	23.5 ~ 25.2V
5	Efficiency(120/230V AC, TYP) *1	77%/80%	87%/88%	88%/89%	89%/90%
6	Maximum ripple noise	50mVpp	80mVpp	100mVpp	150mVpp
7	Over current protection *3	23A ~	15.8A ~	12.7A ~	7.8A ~
8	Over voltage protection *4	5.75V ~	13.8V ~	17.3V ~	27.6V ~
9	Input voltage range	85V ~ 264VAC			
10	Input frequency range	47Hz ~ 63Hz			
11	Input current *1	1.15A (100VAC) , 0.52A (230VAC)			
12	Power factor *1	0.99TYP (100VAC), 0.95TYP (230VAC)			
13	Inrush current *2	20Apk MAX (120VAC), 40Apk MAX (240VAC)			
14	Hold-up time *5	20msMIN			

### NOTES

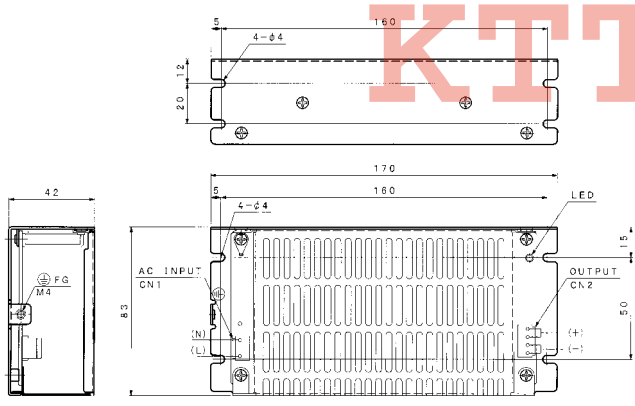
- \*1 When maximum output is worked
- \*2 When cold start works with rated voltage at 25 ambient temperature
- \*3 Recovers automatically
- \*4 Recovers on input again
- \*5 When maximum output is worked, after last AC line peak
- \*6 (Peak) : Peak Loads for 10 seconds or less are acceptable. Input voltage range AC170V ~ AC264V only.

# GSW100

## GSW100 GENERAL SPECIFICATIONS

ITEM		
1	Maximum line / load regulation	± 0.5%
2	Voltage tolerance ratio	± 3% at line, load, time, temperature
3	Operating temperature	-10 ~ 60 (Refer to Output derating)
4	Operating humidity	30 ~ 90%RH (Non condensing)
5	Storage temperature	-30 ~ 85
6	Storage humidity	10 ~ 95%RH (Non condensing)
7	Cooling	Convection or forced air cooling (Refer to Output derating)
8	Electric strength voltages	Input - Output 3000VAC 1 minute , Input - FG 1500VAC 1 minute , Output - FG 500VAC 1 minute
9	Insulation resistance	100M MIN DC500V 25 70%RH Input - Output, Input - FG, Output - FG
10	Leakage current	0.5mA MAX (240VAC, 50Hz)
11	Vibration	10 ~ 55Hz 2G (3 directions each 1 hour)
12	Shock	20ms 20G (3 directions each 3 times)
13	Safety standards	UL1950, CSA950(cUL), EN60950(NEMKO) Approvals
14	Conduction noise	Meeting FCC Class B, EN55022 Class B, VCCI Class B
15	Harmonic distortion	Meeting EN61000-3-2
16	Mains surge	Meeting EN61000-3-5 Level 3/4KV(CM),2KV(DM)
17	Dimensions	83(W) 170(D) 42(H) mm / 3.27"(W) 6.7"(D) 1.65"(H)
18	Weight	540g / 1.19lb. TYP

## GSW100 OUTLINE DRAWING



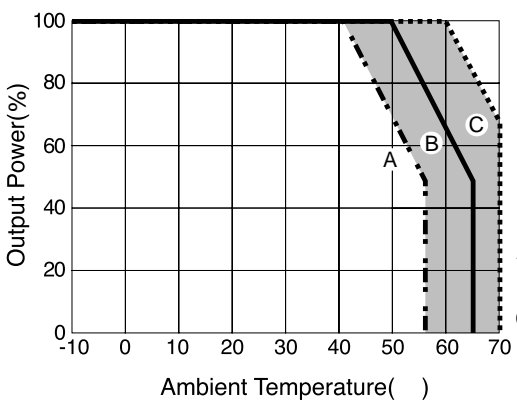
### Connectors Used

Part Description	Part Name	Manufacturer	Q.T.Y
CN1 Pin Header (Input side)	B2P3-VH or B3P5-VH	JST	1
CN2 Pin Header (Output side)	B4P-VH	JST	1

### Matching Housings and Pins (Not included with the product)

Part Description	Part Name	Manufacturer	Q.T.Y
CN1 Socket Housing	VHR-3N or VHR-5N	JST	1
CN2 Socket Housing	VHR-4N	JST	1
(CN1, CN2) Terminal Pins	BVH-21T-P1.1	JST	6 or 7

## GSW100 OUTPUT DERATING



A Conv. With Cover  
 B Conv. Open Frame  
 C F / Air

### Mounting Direction(conv)

