

INNOLUX DISPLAY CORPORATION
LCD MODULE
SPECIFICATION

Customer: _____

Model Name: AT080TN03 V.3

SPEC NO.: A080-03-TT-31

Date: 2006/1/5

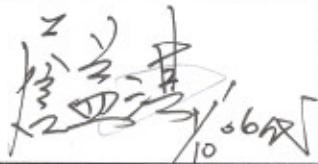
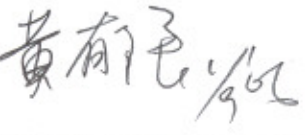

Version: 01

Preliminary Specification

Final Specification

For Customer's Acceptance

| Approved by | Comment |
|-------------|---------|
| | |

| Approved by | Reviewed by | Prepared by |
|---|---|--|
|  |  |  |

Record of Revision

| Version | Revise Date | Page | Content |
|---------|-------------|------|-----------------|
| 1 | 2006/1/5 | | Initial Release |

KTTIC

Contents

| | |
|---|----|
| 1. General Specifications | 1 |
| 2. Pin Assignment | 2 |
| 2.1. TFT LCD Panel Driving Section | 2 |
| 2.2. Backlight Unit Section | 6 |
| 3. Operation Specifications | 7 |
| 3.1. Absolute Maximum Rating | 7 |
| 3.1.1. Typical Operation Conditions | 8 |
| 3.1.2. Current Consumption | 9 |
| 3.1.3. Backlight Driving Conditions | 9 |
| 3.2. Timing Characteristics | 10 |
| 3.2.1. Timing Conditions | 10 |
| 3.2.2. Timing Diagram | 11 |
| 4. Touch Screen Panel Specifications | 18 |
| 4.1. Electrical Characteristics | 18 |
| 4.2. Mechanical & Reliability Characteristics | 18 |
| 4.3. Touch Screen Panel Block | 19 |
| 4.4. Touch Screen Panel Pin Definition | 19 |
| 5. Optical Specifications | 20 |
| 6. Reliability Test Items | 24 |
| 7. General Precautions | 25 |
| 7.1. Safety | 25 |
| 7.2. Handling | 25 |
| 7.3. Static Electricity | 25 |
| 7.4. Storage | 25 |
| 7.5. Cleaning | 25 |
| 8. Mechanical Drawing | 26 |
| 9. Package Drawing | 27 |
| 9.1. Packaging Material Table | 27 |
| 9.2. Packaging Quantity | 27 |
| 9.3. Packaging Drawing | 28 |

1. General Specifications

| No. | Item | Specification | Remark |
|-----|-----------------------------|------------------------------|-----------------------|
| 1 | LCD size | 8.0 inch(Diagonal) | |
| 2 | Driver element | a-Si TFT active matrix | |
| 3 | Resolution | 800X3(RGB)X480 | |
| 4 | Display mode | Normally White, Transmissive | |
| 5 | Dot pitch | 0.0736(W)X0.2070(H) mm | |
| 6 | Active area | 176.64(W)X99.36(H) mm | TFT Panel Active area |
| 7 | Module size | 192.8(W)X116.9(H)X8.27(D) mm | Note 1 |
| 8 | Surface treatment | Anti-Glare | |
| 9 | Color arrangement | RGB-stripe | |
| 10 | Interface | Digital | |
| 11 | Backlight Power consumption | 2.4W | |
| 12 | Panel Power consumption | 0.268W | |
| 13 | Weight | TBD | |

Note 1: Refer to Mechanical Drawing.

2. Pin Assignment

2.1. TFT LCD Panel Driving Section

| Pin No. | Symbol | I/O | Function | Remark |
|---------|------------------|-----|--|----------|
| 1 | POL | I | Polarity selection | |
| 2 | STVD | I/O | Vertical start pulse input when U/D= H | Note 1 |
| 3 | OEV | I | Output enable | |
| 4 | CKV | I | Vertical clock | |
| 5 | STVU | I/O | Vertical start pulse input when U/D= L | Note 1 |
| 6 | GND | P | Power ground | |
| 7 | EDGSL | I | Select rising edge or falling edge | |
| 8 | V _{CC} | P | Power supply for digital circuit | |
| 9 | V ₉ | I | Gamma voltage level 9 | |
| 10 | V _{GL} | P | Gate OFF voltage | |
| 11 | V ₂ | I | Gamma voltage level 2 | |
| 12 | V _{GH} | P | Gate ON voltage | |
| 13 | V ₆ | I | Gamma voltage level 6 | |
| 14 | U/D | I | Up/down selection | Note 1,2 |
| 15 | V _{COM} | I | Common voltage | |
| 16 | GND | P | Power ground | |
| 17 | AV _{DD} | P | Power supply for analog circuit | |
| 18 | V ₁₄ | I | Gamma voltage level 14 | |
| 19 | V ₁₁ | I | Gamma voltage level 11 | |

| | | | | |
|----|-----------------|-----|--|--------|
| 20 | V8 | I | Gamma voltage level 8 | |
| 21 | V5 | I | Gamma voltage level 5 | |
| 22 | V3 | I | Gamma voltage level 3 | |
| 23 | GND | P | Power ground | |
| 24 | R5 | I | Red data(MSB) | |
| 25 | R4 | I | Red data | |
| 26 | R3 | I | Red data | |
| 27 | R2 | I | Red data | |
| 28 | R1 | I | Red data | |
| 29 | R0 | I | Red data(LSB) | |
| 30 | GND | P | Power ground | |
| 31 | GND | P | Power ground | |
| 32 | G5 | I | Green data(MSB) | |
| 33 | G4 | I | Green data | |
| 34 | G3 | I | Green data | |
| 35 | G2 | I | Green data | |
| 36 | G1 | I | Green data | |
| 37 | G0 | I | Green data(LSB) | |
| 38 | STHL | I/O | Horizontal start pulse input when R/L = H | Note 1 |
| 39 | INV | I | Control signal are inverted or not | |
| 40 | GND | I | Power ground | |
| 41 | DCLK | I | Sample clock | |
| 42 | V _{CC} | P | Voltage for digital circuit | |
| 43 | STHR | I/O | Horizontal start pulse input when R/L = L | Note 1 |
| 44 | LD | I | Latches the polarity of outputs and switches the new data to outputs | |

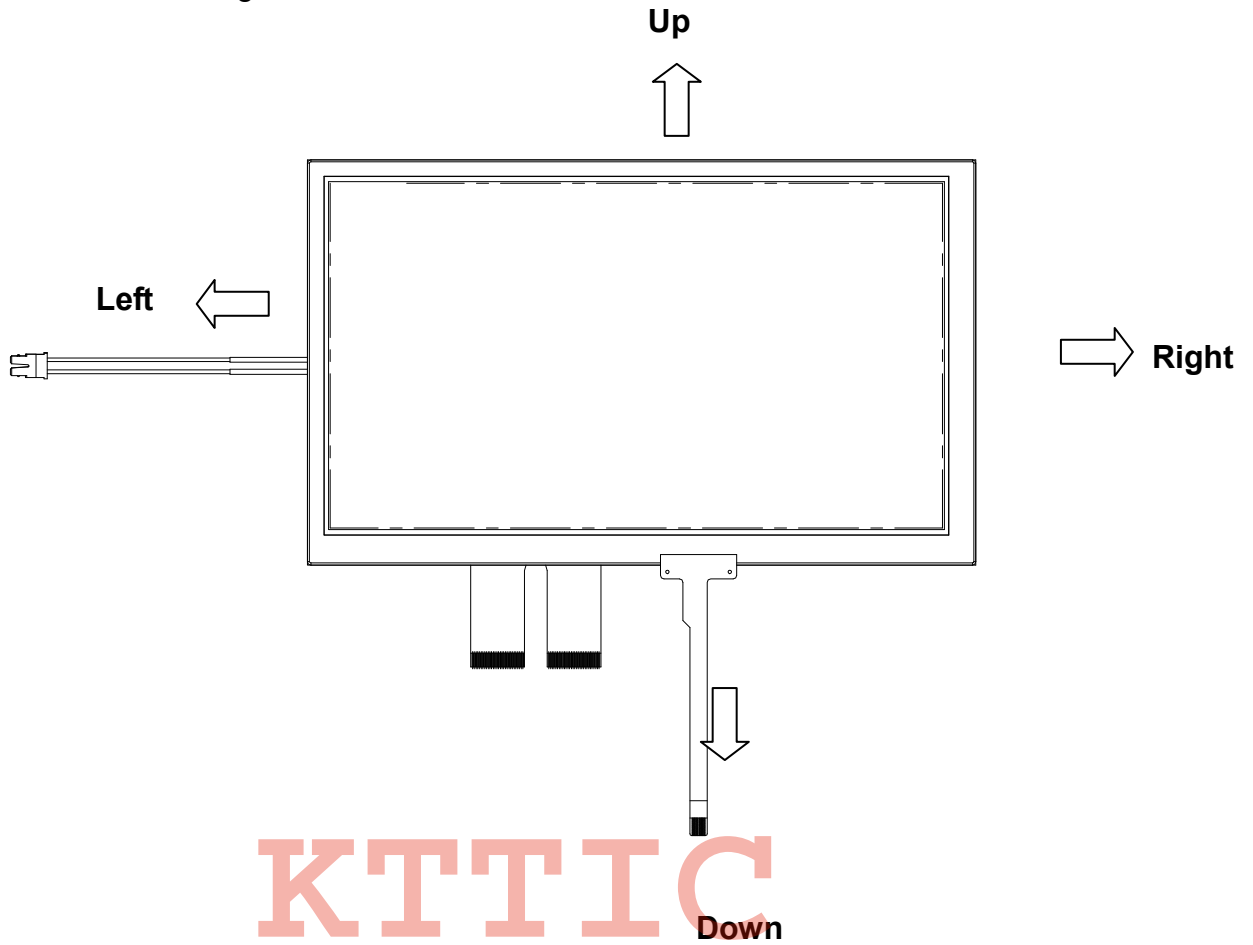
| | | | | |
|----|------------------|---|----------------------------|----------|
| 45 | B5 | I | Blue data (MSB) | |
| 46 | B4 | I | Blue data | |
| 47 | B3 | I | Blue data | |
| 48 | B2 | I | Blue data | |
| 49 | B1 | I | Blue data | |
| 50 | B0 | I | Blue data (LSB) | |
| 51 | R/L | I | Right/ left selection | Note 1,2 |
| 52 | V1 | I | Gamma voltage level 1 | |
| 53 | V4 | I | Gamma voltage level 4 | |
| 54 | V7 | I | Gamma voltage level 7 | |
| 55 | V10 | I | Gamma voltage level 10 | |
| 56 | V12 | I | Gamma voltage level 12 | |
| 57 | V13 | I | Gamma voltage level 13 | |
| 58 | AV _{DD} | P | Voltage for analog circuit | |
| 59 | GND | P | Power ground | |
| 60 | V _{COM} | I | Common voltage | |

I: input, O: output, P: Power

Note 1: Selection of scanning mode

| Setting of scan control input | | IN/OUT state for start pulse | | | | Scanning direction |
|-------------------------------|-----------------|------------------------------|------|------|------|---------------------------|
| U/D | R/L | STVD | STVU | STHR | STHL | |
| GND | V _{CC} | O | I | O | I | Up to down, left to right |
| V _{CC} | GND | I | O | I | O | Down to up, right to left |
| GND | GND | O | I | I | O | Up to down, right to left |
| V _{CC} | V _{CC} | I | O | O | I | Down to up, left to right |

Note 2: Definition of scanning direction.
Refer to the figure as below:



2.2. Backlight Unit Section

| Pin No. | Symbol | I/O | Function | Remark |
|---------|--------|-----|---------------------------------|--------|
| 1 | HI | P | Power supply for backlight unit | Pink |
| 2 | GND | - | Ground for backlight unit | White |

KTTIC

3. Operation Specifications

3.1. Absolute Maximum Rating

(GND=AV_{SS}=0V, Note 2)

| | Symbol | Values | | Unit | Remark |
|-----------------------|----------------------------------|----------------------|-----------------------|------|--------|
| | | Min. | Max. | | |
| Power voltage | V _{CC} | -0.3 | 5 | V | |
| | AV _{DD} | -0.5 | 13.5 | V | |
| | V _{GH} | -0.3 | 18 | V | |
| | V _{GL} | -15 | 0.3 | V | |
| | V _{GH} -V _{GL} | - | 33 | V | |
| Input signal voltage | V1~V7 | 0.4 AV _{DD} | AV _{DD} +0.3 | V | Note 1 |
| | V8~V14 | -0.3 | 0.6AV _{DD} | V | Note 1 |
| Operation Temperature | T _{OP} | -20 | 70 | °C | |
| Storage Temperature | T _{ST} | -30 | 80 | °C | |

Note 1: AV_{DD} - 0.1 ≥ V1 ≥ V2 ≥ V3 ≥ V4 ≥ V5 ≥ V6 ≥ V7 ≥ V8 ≥ V9 ≥ V10 ≥ V11 ≥ V12 ≥ V13 ≥ V14 ≥ AV_{SS} + 0.1

Note 2: The absolute maximum rating values of this product are not allowed to be exceeded at any times. Should a module be used with any of the absolute maximum ratings exceeded, the characteristics of the module may not be recovered, or in an extreme case, the module may be permanently destroyed.

3.1.1. Typical Operation Conditions

(GND=AV_{SS}=0V, Note 1)

| Item | Symbol | Values | | | Unit | Remark |
|--------------------------|------------------|----------------------|---------|-----------------------|------|--------|
| | | Min. | Typ. | Max. | | |
| Power voltage | V _{CC} | 3.0 | 3.3 | 3.6 | V | |
| | AV _{DD} | 9.8 | 10 | 10.2 | V | |
| | V _{GH} | 14.3 | 15 | 15.7 | V | |
| | V _{GL} | -10.5 | -10 | -9.5 | V | |
| Input signal voltage | V _{COM} | - | (4.124) | - | V | |
| | V1~V7 | 0.4 AV _{DD} | - | AV _{DD} -0.1 | V | |
| | V8~V14 | 0.1 | - | 0.6 AV _{DD} | V | |
| Input logic high voltage | V _{IH} | 0.7V _{CC} | - | V _{CC} | V | |
| Input logic low voltage | V _{IL} | 0 | - | 0.3V _{CC} | V | |

Note 1: Be sure to apply V_{CC} and V_{GL} to the LCD first, and then apply V_{GH}.

3.1.2. Current Consumption

(GND=AV_{SS}=0V)

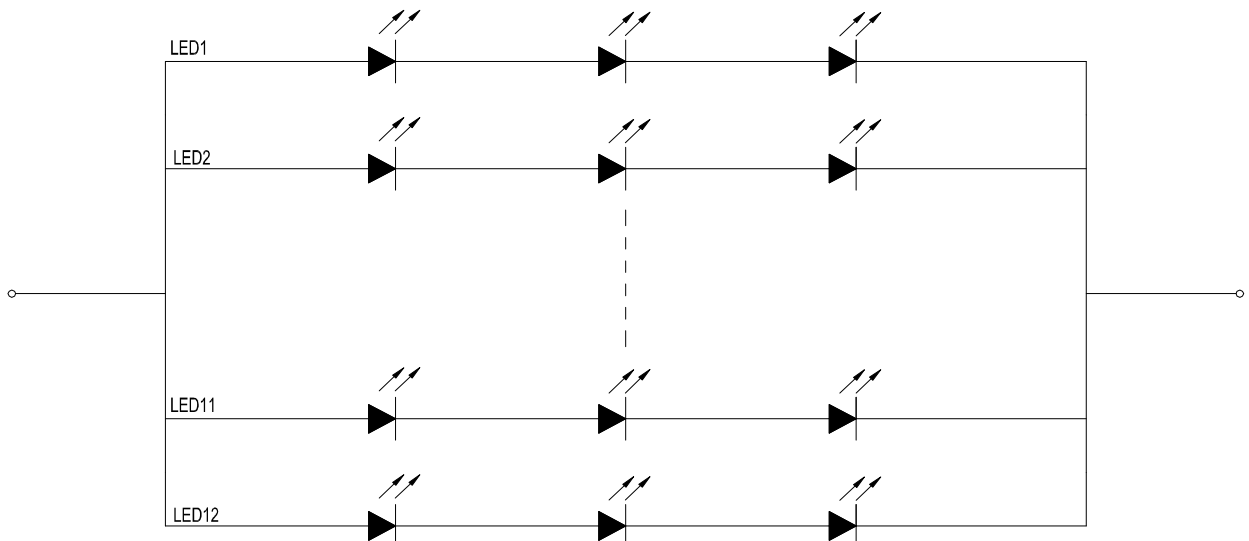
| Item | Symbol | Values | | | Unit | Remark |
|--------------------|-----------------|--------|------|------|------|------------------------|
| | | Min. | Typ. | Max. | | |
| Current for Driver | I _{GH} | - | 0.2 | 0.5 | mA | V _{GH} =15V |
| | I _{GL} | - | 0.2 | 1.0 | mA | V _{GL} = -10V |
| | I _{CC} | - | 4 | 10 | mA | V _{CC} =3.3V |
| | I _{DD} | - | 25 | 50 | mA | AV _{DD} =10V |

3.1.3. Backlight Driving Conditions

| Item | Symbol | Values | | | Unit | Remark |
|---------------|----------------|--------|------|------|------|--------|
| | | Min. | Typ. | Max. | | |
| LED voltage | V _L | - | 9.9 | 10.5 | V | Note 2 |
| LED current | I _L | - | 20 | - | mA | Note 2 |
| LED life time | - | 20,000 | - | - | Hr | Note 1 |

Note 1: The “LED life time” is defined as the module brightness decrease to 50% original brightness that the ambient temperature is 25°C and I_L =20mA.

Note 2: The LED driving condition is defined for each LED module(3 LED Serial).



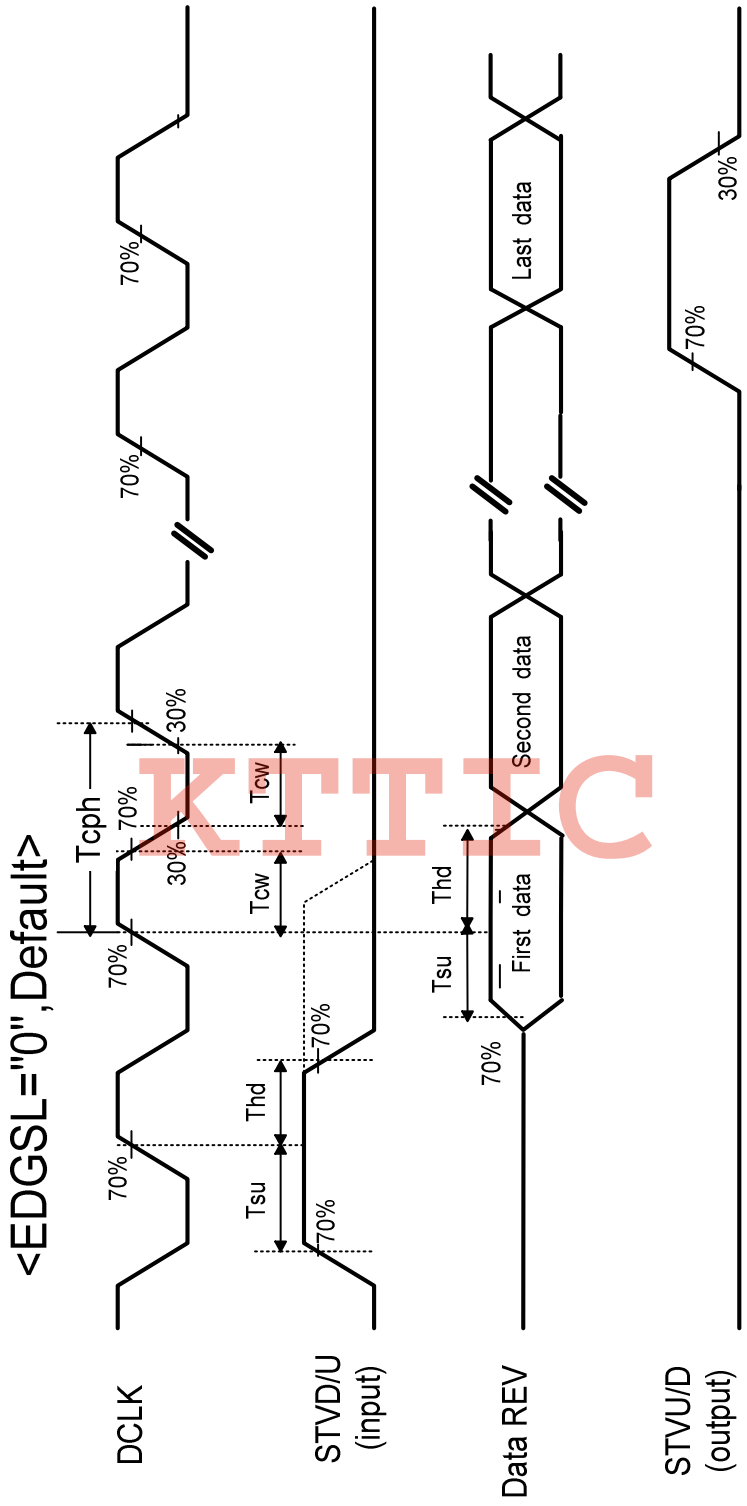
3.2. Timing Characteristics

3.2.1. Timing Conditions

| Item | Symbol | Values | | | Unit | Remark |
|---------------------------------|--------|--------|------|------|------|--------|
| | | Min. | Typ. | Max. | | |
| DCLK frequency | Fclk | - | 40 | 45 | MHz | |
| DCLK cycle | Tcph | 22 | 25 | - | ns | |
| DCLK pulse width | Tcw | 8 | - | - | ns | |
| Data set-up time | Tsu | 4 | - | - | ns | |
| Data hold time | Thd | 2 | - | - | ns | |
| Time that the last data to LD | Tld | 1 | - | - | Tcph | |
| Pulse width of LD | Twld | 2 | - | - | Tcph | |
| Time that LD to STVD/U | Tlds | 5 | - | - | Tcph | |
| POL set-up time | Tpsu | 6 | - | - | ns | |
| POL hold time | Tphd | 6 | - | - | ns | |
| OEV pulse width | Toev | 1 | - | - | us | |
| CKV pulse width | Tckv | 0.5 | - | - | us | |
| Horizontal display timing range | Tdh | - | 800 | - | Tcph | |
| Horizontal timing range | Th | - | 1056 | - | Tcph | |
| DIO2/1 setup time | Tsuv | 200 | - | - | ns | |
| DIO2/1 hold time | Thdv | 300 | - | - | ns | |
| Horizontal lines per field | Tv | 512 | 525 | 610 | Tdh | |
| Vertical display timing range | Tvd | - | 480 | - | Tdh | |

3.2.2. Timing Diagram

Timing Diagram1 (CHNSL="1" , Default)



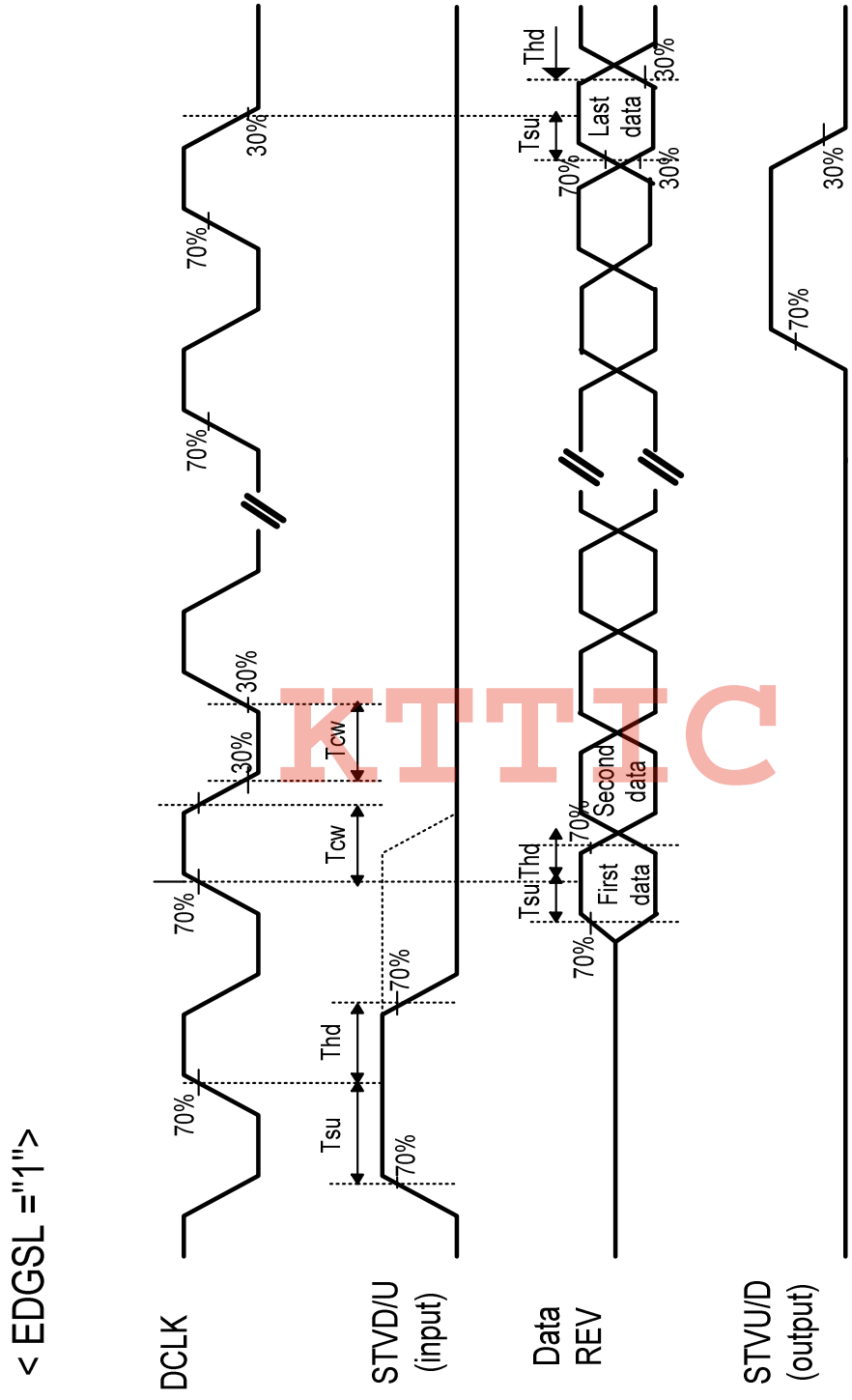


Fig.2-2 operation model 2

Timing Diagram 2

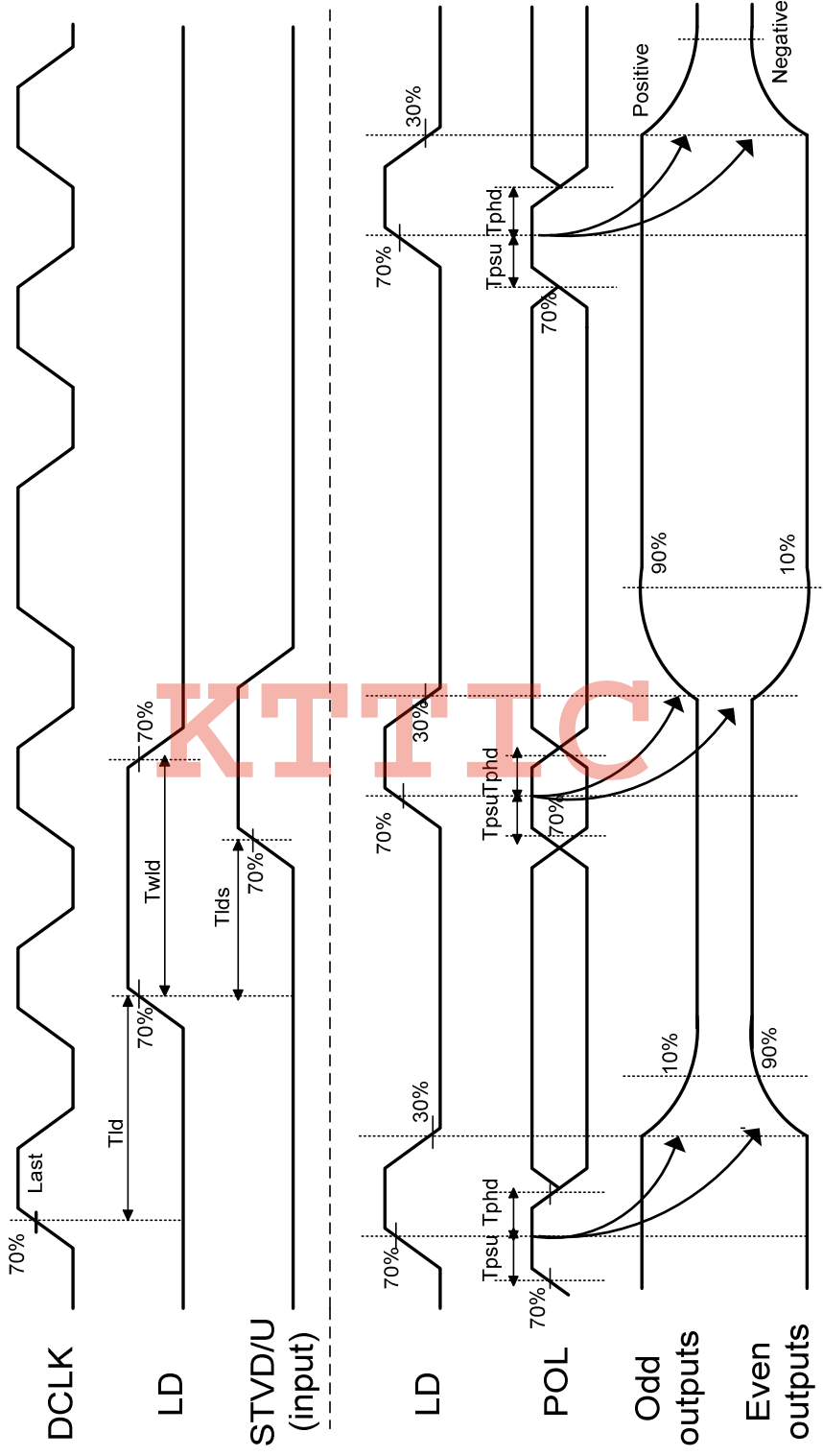


Fig.2-3 Horizontal timing 1

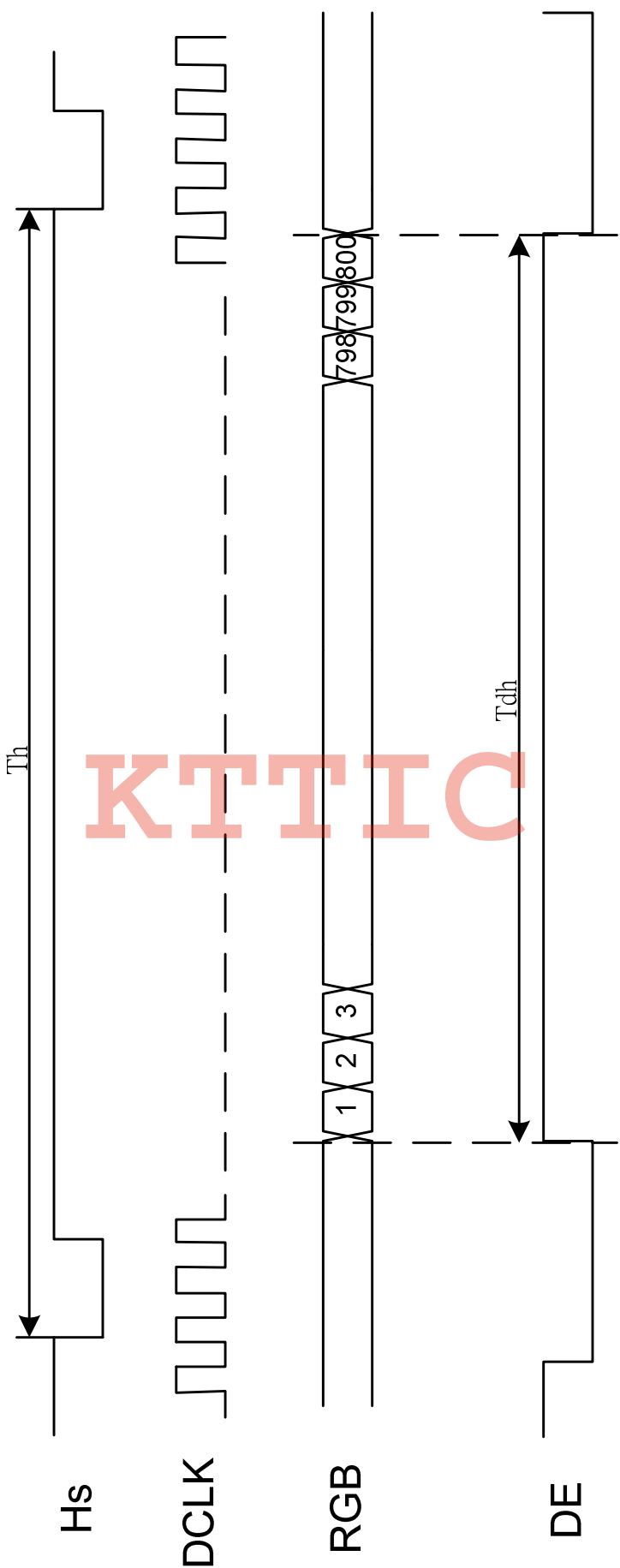


Fig.2-3 Horizontal timing 2

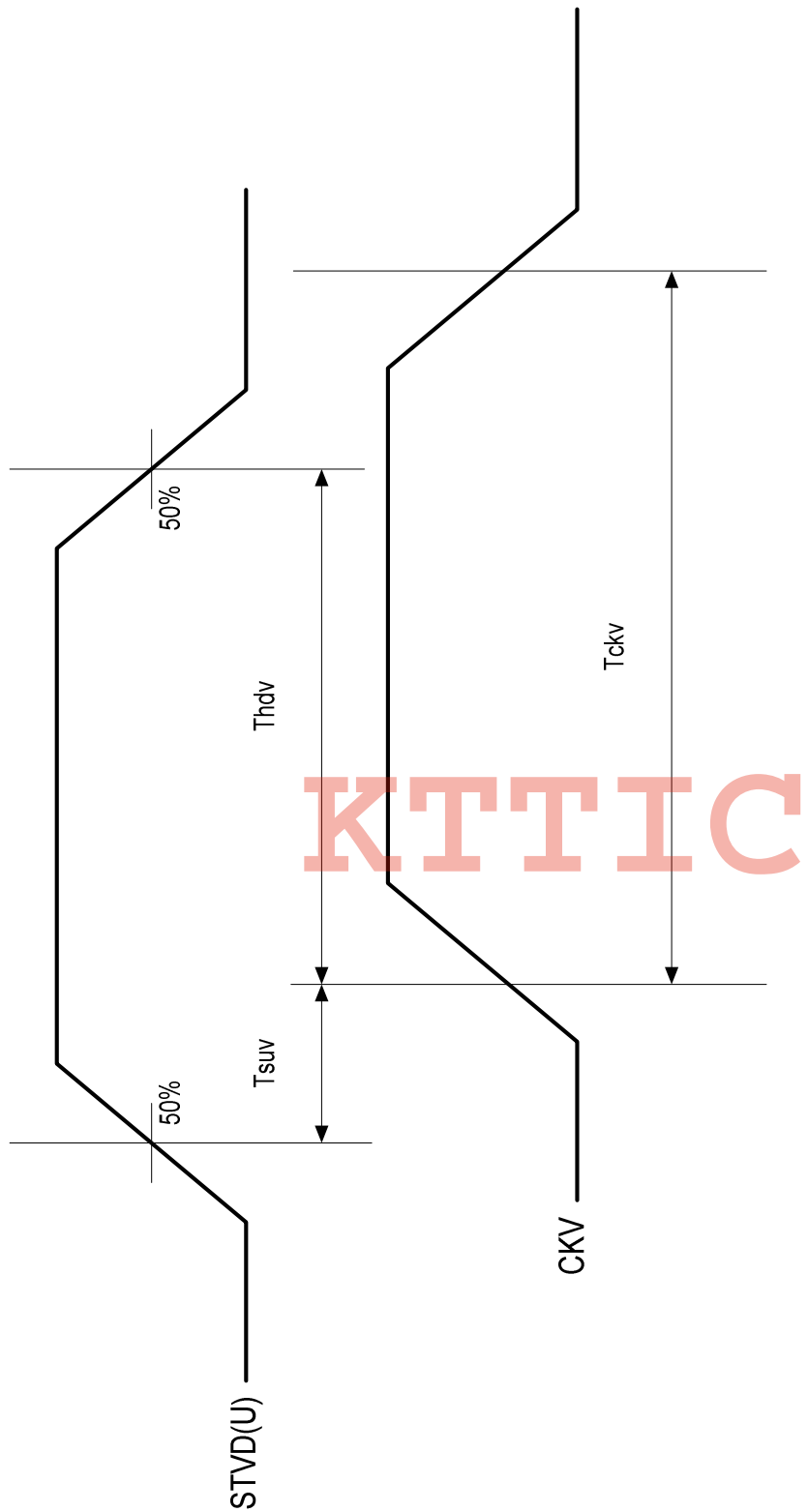


Fig.2-4 Vertical shift clock timing

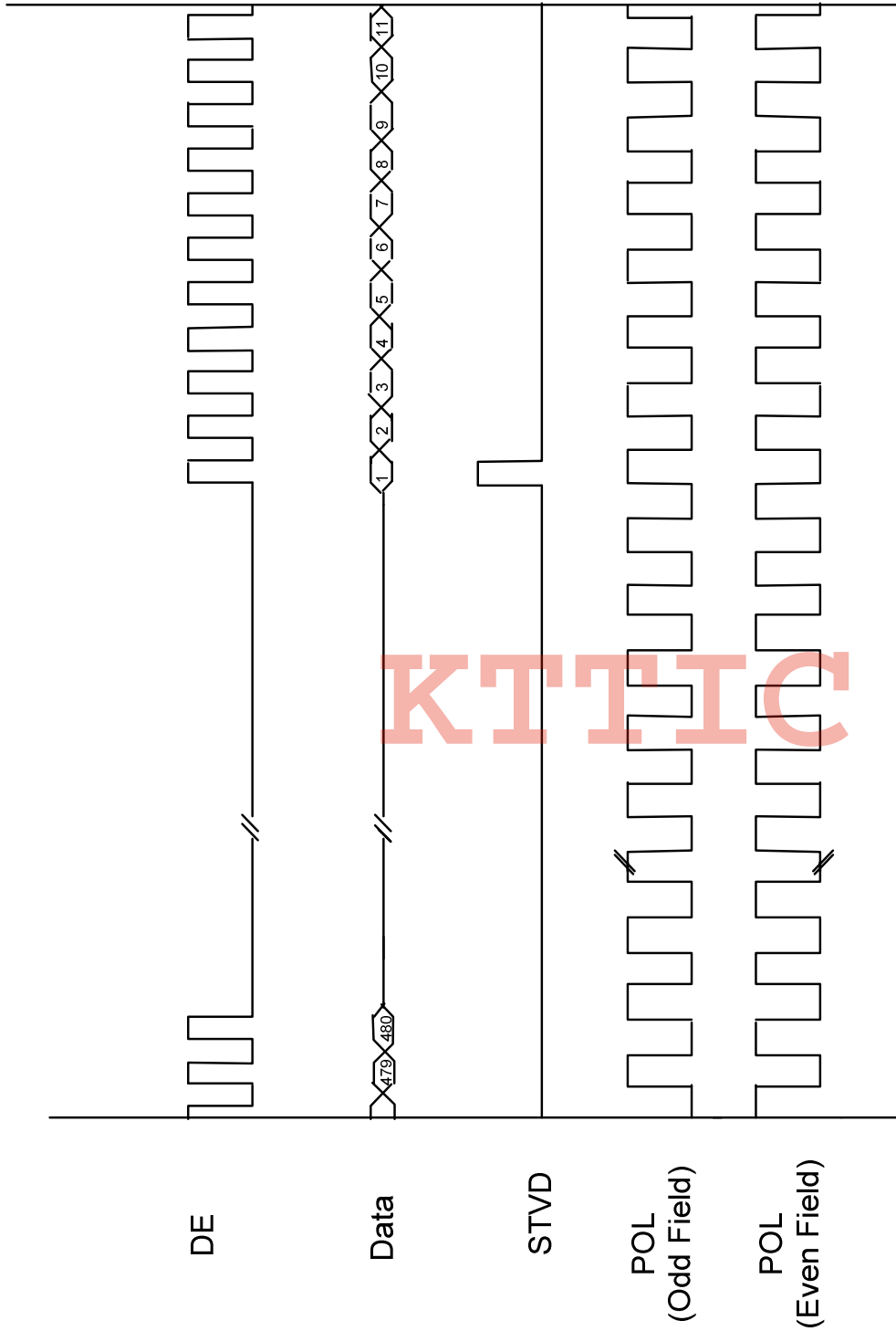


Fig.2-5 Vertical timing (from up to down)

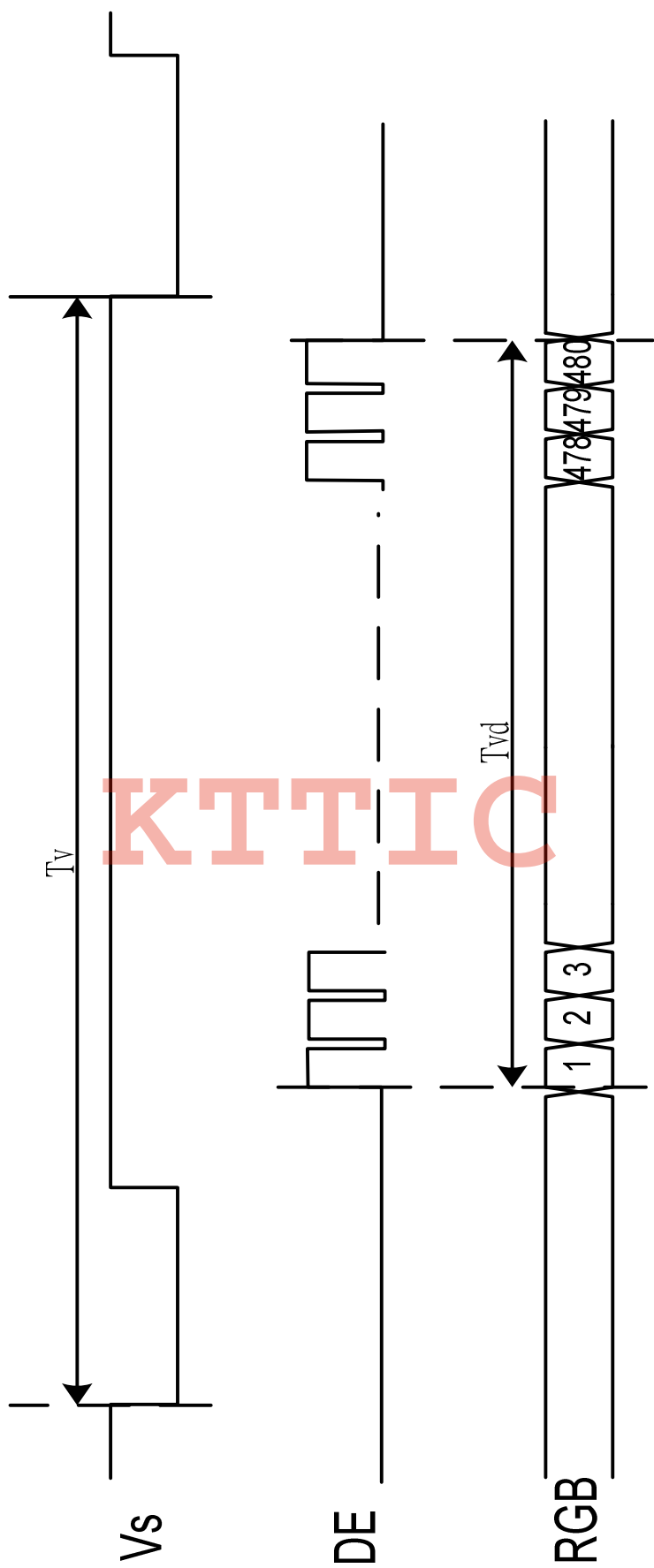


Fig.2-6 Vertical timing

4. Touch Screen Panel Specifications

4.1. Electrical Characteristics

| Item | Value | | | Unit | Remark |
|-----------------------|-------|------|------|------|---------------------------|
| | Min. | Typ. | Max. | | |
| Linearity | -1.5 | - | 1.5 | % | Analog X and Y directions |
| Terminal Resistance | 450 | - | 1200 | Ω | X(Film side) |
| | 100 | - | 600 | Ω | Y(Glass side) |
| Insulation resistance | 25 | - | - | MΩ | DC 25V |
| Voltage | - | - | 7 | V | DC |
| Chattering | - | - | 10 | ms | 100kΩ pull-up |
| Transparency | 82 | - | - | % | |

Note: Do not operate it with a thing except a polyacetal pen (tip R0.8mm or less) or a finger, especially those with hard or sharp tips such as a ball point pen or a mechanical pencil.

4.2. Mechanical & Reliability Characteristics

| Item | Value | | | Unit | Remark |
|-------------------------------|---------------|------|------|------------|--------|
| | Min. | Typ. | Max. | | |
| Activation force | - | - | 80 | g | Note 1 |
| Durability-surface scratching | Write 100,000 | - | - | characters | Note 2 |
| Durability-surface pitting | 1,000,000 | - | - | touches | Note 3 |
| Surface hardness | 3 | - | - | H | |

Note 1: Stylus pen input: R0.8mm polyacetal pen or finger.

Note 2: Measurement for surface area.

-Scratch 100,000 times straight line on the film with a stylus change every 20,000

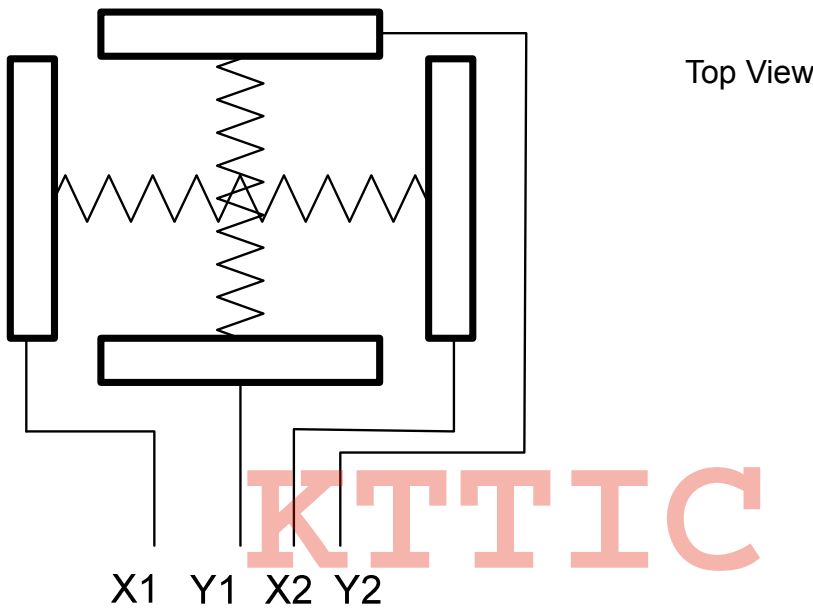
The copyright belongs to InnoLux. Any unauthorized use is prohibited.

- times.
- Force: 250gf.
- Speed: 60mm/sec.
- Stylus: R0.8 polyacetal tip.

Note 3: Pit 1,000,000 times on the film with a R0.8 silicon rubber.

- Force: 250gf.
- Speed: 2times/sec.

4.3. Touch Screen Panel Block



4.4. Touch Screen Panel Pin Definition

| Pin No. | Symbol | I/O | Function | Remark |
|---------|--------|--------|--|--------|
| 1 | Y2 | Top | Top electrode – differential analog | |
| 2 | X2 | Right | Right electrode – differential analog | |
| 3 | Y1 | Bottom | Bottom electrode – differential analog | |
| 4 | X1 | Left | Left electrode – differential analog | |

5. Optical Specifications

| Item | Symbol | Condition | Values | | | Unit | Remark |
|--------------------------|------------|---------------------------------|--------|--------|--------|-------------------|---------------------------------|
| | | | Min. | Typ. | Max. | | |
| Viewing angle (CR≥10) | θ_L | $\Phi=180^\circ$ (9 o'clock) | 55 | (65) | - | degree | Note 1 (Without Touch Panel) |
| | θ_R | $\Phi=0^\circ$ (3 o'clock) | 55 | (65) | - | | |
| | θ_T | $\Phi=90^\circ$ (12 o'clock) | 35 | (45) | - | | |
| | θ_B | $\Phi=270^\circ$ (6 o'clock) | 55 | (65) | - | | |
| Response time | T_{ON} | Normal $\theta=\Phi=0^\circ$ | - | 15 | 30 | msec | Note 3 |
| | T_{OFF} | | - | 20 | 40 | msec | Note 3 |
| Contrast ratio | CR | | 250 | 300 | - | - | Note 4 |
| Color chromaticity | W_X | | (0.26) | (0.31) | (0.36) | - | Note 5 Note 6 |
| | W_Y | | (0.28) | (0.33) | (0.38) | | |
| Luminance | L_1 | | 250 | 300 | - | cd/m ² | Note 6 (With Touch Panel) |
| | L_2 | | 300 | 350 | - | cd/m ² | Note 6 (Without Touch Panel) |
| Luminance uniformity | Y_U | 70 | 75 | - | % | Note 7 | |

Test Conditions:

1. $V_{CC}=3.3V$, $AV_{DD}=10V$, $I_L=20mA$ ms (Backlight current), the ambient temperature is $25^\circ C$.
2. The test systems refer to Note 2.

Note 1: Definition of viewing angle

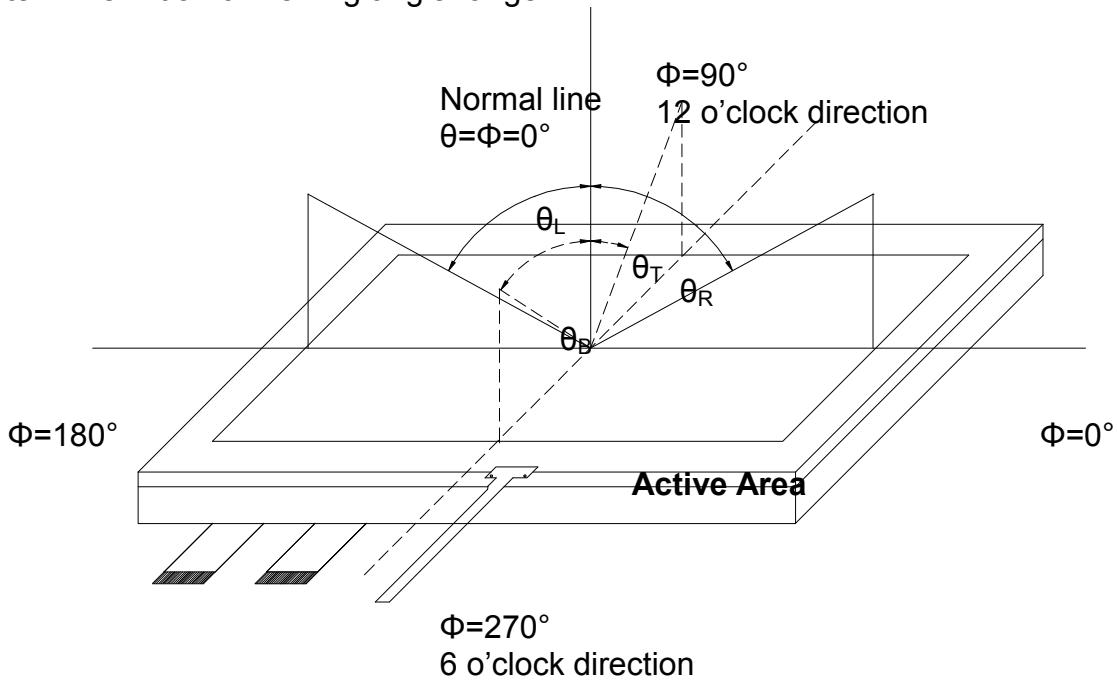


Fig. 4-1 Definition of viewing angle

Note 2: Definition of optical measurement system.

The optical characteristics should be measured in dark room. The optical properties are measured at the center point of the LCD screen. (Response time is measured by Photo detector TOPCON BM-7, other items are measured by BM-5A/Field of view: 1° /Height: 500mm.)

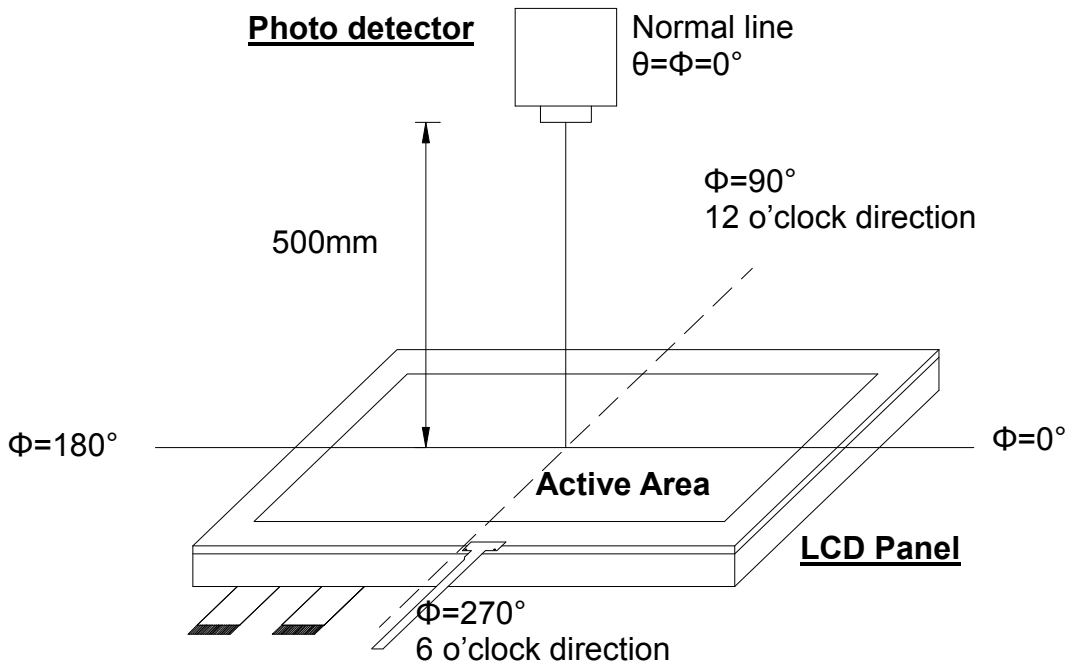


Fig. 4-2 Optical measurement system setup

Note 3: Definition of Response time

The response time is defined as the LCD optical switching time interval between "White" state and "Black" state. Rise time (T_{ON}) is the time between photo detector output intensity changed from 90% to 10%. And fall time (T_{OFF}) is the time between photo detector output intensity changed from 10% to 90%.

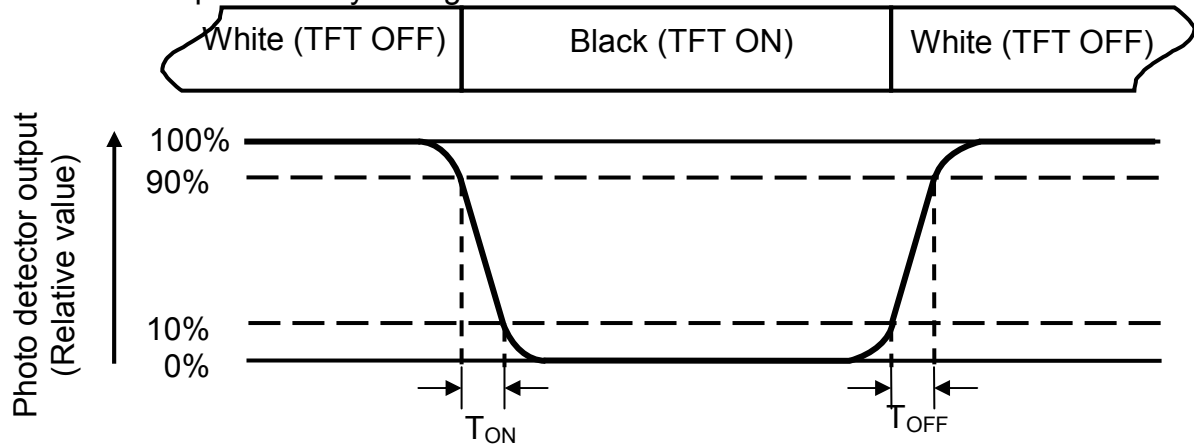


Fig. 4-3 Definition of response time

Note 4: Definition of contrast ratio

$$\text{Contrast ratio (CR)} = \frac{\text{Luminance measured when LCD on the "White" state}}{\text{Luminance measured when LCD on the "Black" state}}$$

Note 5: Definition of color chromaticity (CIE1931)

Color coordinates measured at center point of LCD.

Note 6: All input terminals LCD panel must be ground while measuring the center area of the panel.

Note 7: Definition of Luminance Uniformity

Active area is divided into 9 measuring areas (Refer to Fig. 4-4).Every measuring point is placed at the center of each measuring area.

$$\text{Luminance Uniformity (Yu)} = \frac{B_{min}}{B_{max}}$$

L-----Active area length W----- Active area width

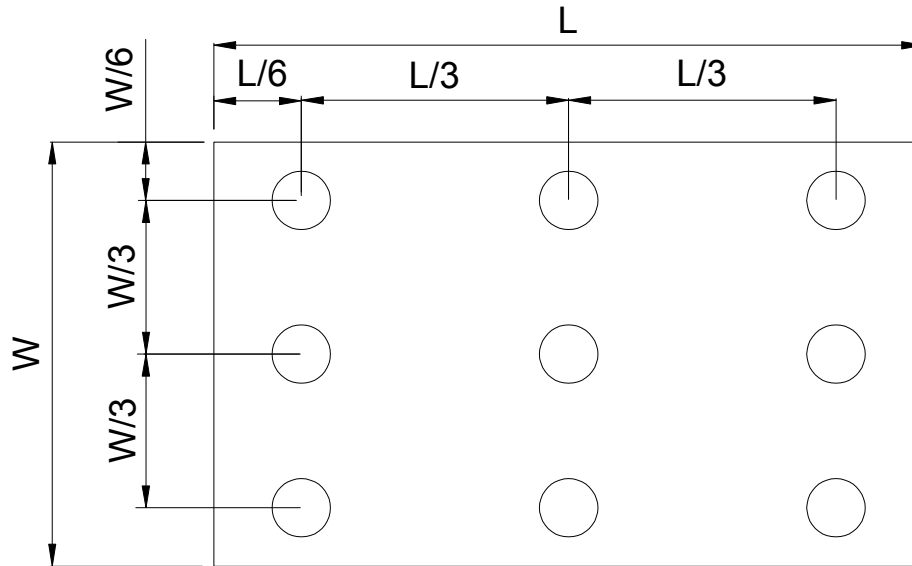


Fig. 4-4 Definition of measuring points

B_{max}: The measured maximum luminance of all measurement position.
B_{min}: The measured minimum luminance of all measurement position.

7. General Precautions

7.1. Safety

Liquid crystal is poisonous. Do not put it in your mouth. If liquid crystal touches your skin or clothes, wash it off immediately by using soap and water.

7.2. Handling

1. The LCD panel is plate glass. Do not subject the panel to mechanical shock or to excessive force on its surface.
2. The polarizer attached to the display is easily damaged. Please handle it carefully to avoid scratch or other damages.
3. To avoid contamination on the display surface, do not touch the module surface with bare hands.
4. Keep a space so that the LCD panels do not touch other components.
5. Put cover board such as acrylic board on the surface of LCD panel to protect panel from damages.
6. Transparent electrodes may be disconnected if you use the LCD panel under environmental conditions where the condensation of dew occurs.
7. Do not leave module in direct sunlight to avoid malfunction of the ICs.

7.3. Static Electricity

1. Be sure to ground module before turning on power or operating module.
2. Do not apply voltage which exceeds the absolute maximum rating value.

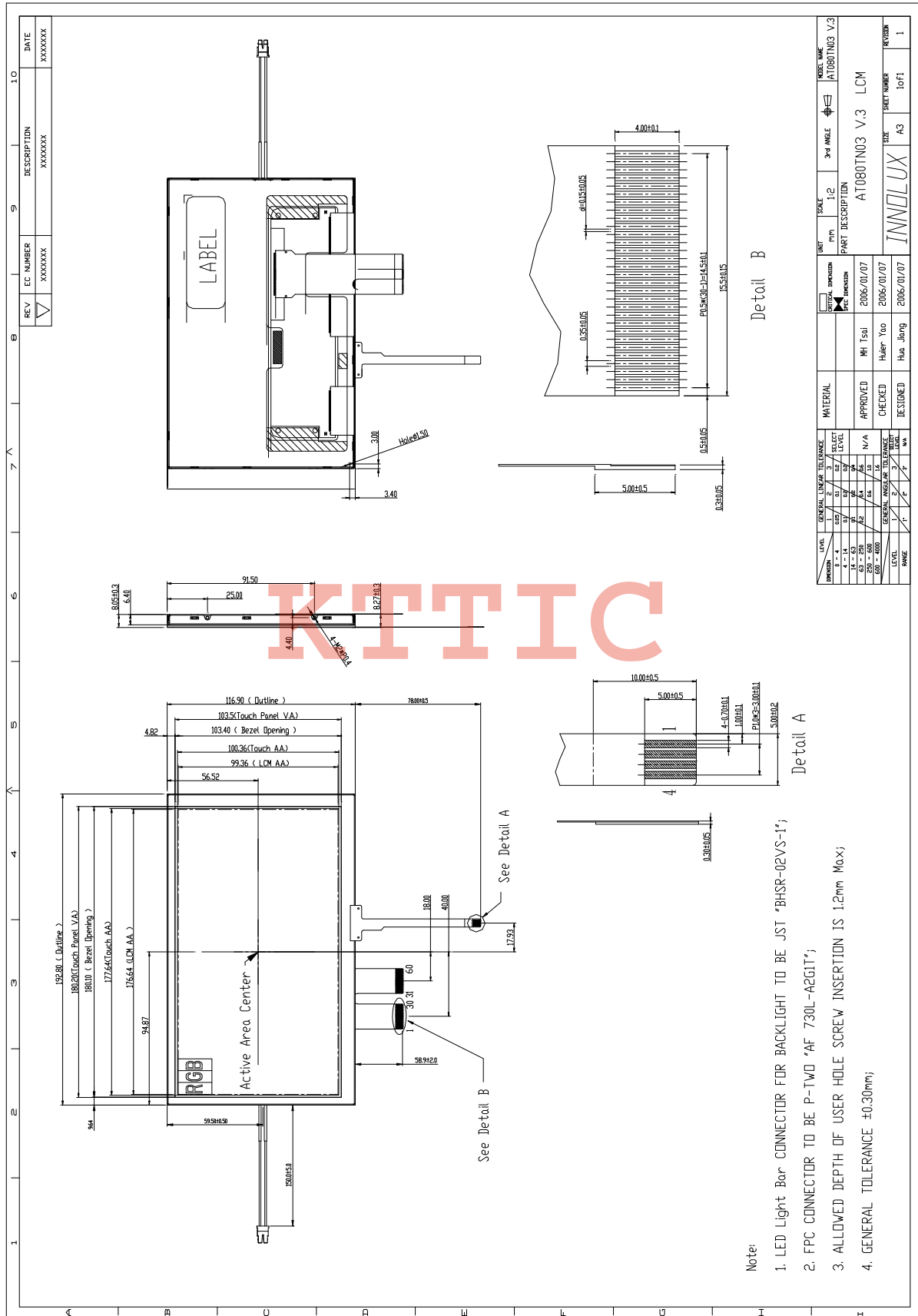
7.4. Storage

1. Store the module in a dark room where must keep at $25\pm 10^{\circ}\text{C}$ and 65%RH or less.
2. Do not store the module in surroundings containing organic solvent or corrosive gas.
3. Store the module in an anti-electrostatic container or bag.

7.5. Cleaning

1. Do not wipe the polarizer with dry cloth. It might cause scratch.
2. Only use a soft sloth with IPA to wipe the polarizer, other chemicals might permanent damage to the polarizer.

8. Mechanical Drawing



9. Package Drawing

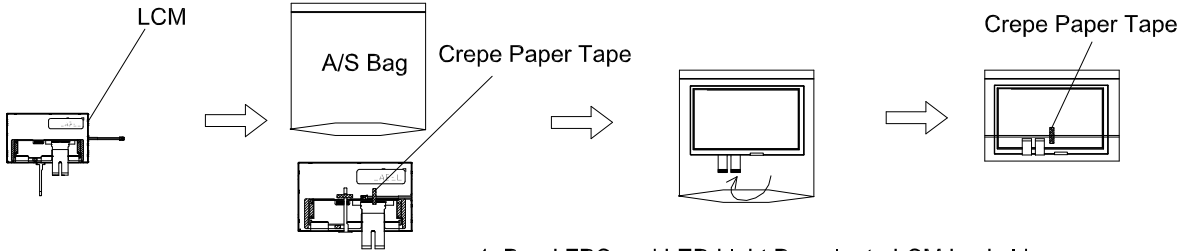
9.1. Packaging Material Table

| No. | Item | Model (Material) | Dimensions(mm) | Unit Weight (kg) | Quantity | Remark |
|-----|----------------|---------------------|------------------|------------------|----------|--------|
| 1 | LCM Module | AT080TN03 V.3 | 192.8×116.9×8.27 | TBD | 30pcs | |
| 2 | Partition | BC Corrugated paper | 512×349×226 | 1.161 | 1set | |
| 3 | Corrugated Bar | B Corrugated paper | 349X199X52 | 0.738 | 4pcs | |
| 4 | Dust-Proof Bag | PE | 700X530 | 0.0604 | 1pcs | |
| 5 | A/S Bag | PE | 205×195×0.2 | 0.0029 | 30pcs | |
| 6 | Carton | Corrugated paper | 530*355*255 | 1.100 | 1pcs | |
| 7 | Total weight | TBD | | | | |

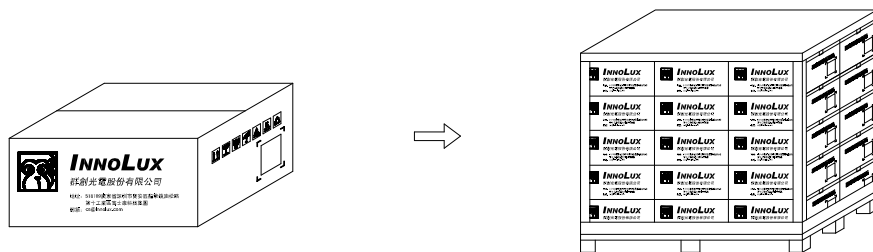
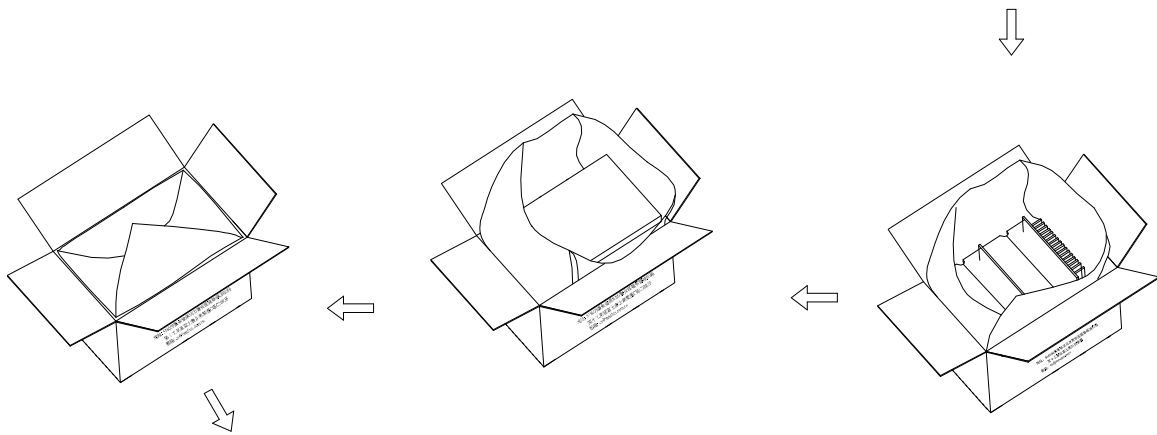
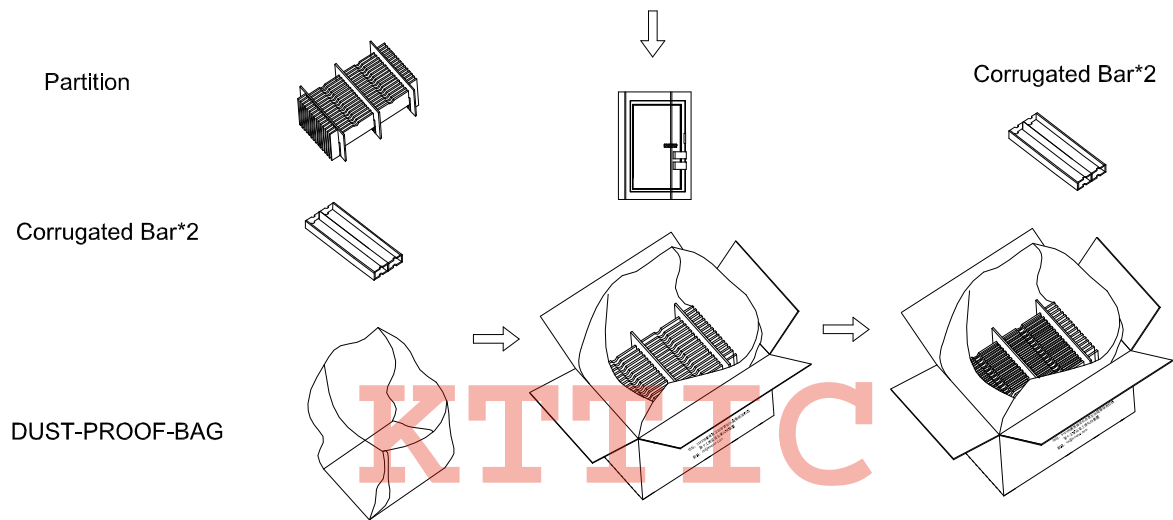
9.2. Packaging Quantity

| | | | | |
|--|----------|------------------|----|------|
| Total LCM quantity in Carton: no. of Partition | 2 Rows x | quantity per Row | 15 | = 30 |
|--|----------|------------------|----|------|

9.3. Packaging Drawing



1. Bend FPC and LED Light Bar wire to LCM backside.
2. Fix with crepe paper tape .
3. Put LCM into A/S BAG .



KTTIC <http://www.kttic.com>

KTTIC

<http://www.kttic.com>