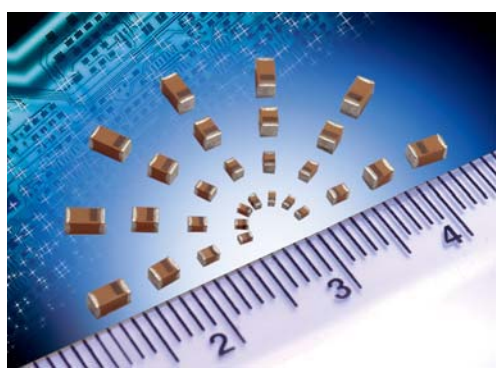


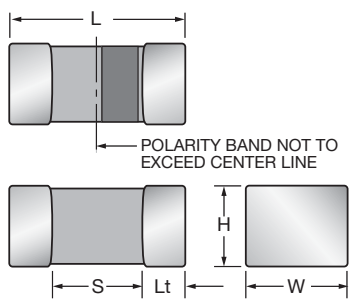
Standard Microchip



- The world's smallest surface mount tantalum capacitor
- CV range: 0.47-150µF / 2-25V
- 5 case sizes available
- Low profile options available
- Industrial and hi-rel medical applications



CASE DIMENSIONS: millimeters (inches)



Code	EIA Code	EIA Metric	Length (L)	Width (W)	Height (H)	Termination Spacing(S)	Minimum Termination Length (Lt)	Average Mass
A	1206	3216-18	3.20±0.20 (0.126±0.008)	1.60±0.20 (0.063±0.008)	1.60±0.20 (0.063±0.008)	1.80 min. (0.071 min.)	0.15 (0.006)	44.6mg
B	1210	3528-15	3.50 ^{+0.20} _{-0.20} +0.008 -0.008	2.80 ^{+0.20} _{-0.10} +0.008 -0.004	1.50 max.	2.00 min.	0.15 min.	90.0mg
K	0402	1005-07	1.00 ^{+0.20} _{-0.00} +0.008 -0.000	0.50 ^{+0.20} _{-0.00} +0.008 -0.000	0.50 ^{+0.20} _{-0.00} +0.008 -0.000	0.40 min. (0.016 min.)	0.10 (0.004)	2.8mg
L	0603	1608-10	1.60 ^{+0.20} _{-0.00} +0.008 -0.000	0.85 ^{+0.15} _{-0.00} +0.006 -0.000	0.85 ^{+0.15} _{-0.00} +0.006 -0.000	0.55 min. (0.022 min.)	0.15 (0.006)	8.6mg
R	0805	2012-15	2.00 ^{+0.20} _{-0.00} +0.008 -0.000	1.35 ^{+0.15} _{-0.00} +0.006 -0.000	1.35 ^{+0.15} _{-0.00} +0.006 -0.000	0.70 min. (0.027 min.)	0.15 (0.006)	29.9mg

HOW TO ORDER

TAC Type TACmicrochip®
L Case Size See table above
226 Capacitance Code pF code: 1st two digits represent significant figures, 3rd digit represents multiplier (number of zeros to follow)
M Tolerance K=±10% M=±20%
004 Rated DC Voltage 002=2Vdc 003=3Vdc 004=4Vdc 006=6.3Vdc 010=10Vdc 016=16Vdc 020=20Vdc 025=25Vdc 050=50Vdc
R Packaging R, P = 7" Standard Tin Termination Plastic Tape X, Q = 4 1/4" Standard Tin Termination Plastic Tape A = 7" Gold Termination Plastic Tape F = 4 1/4" Gold Termination Plastic Tape
TA Alternative characters may be used for special requirements

TECHNICAL SPECIFICATIONS

Technical Data:	All technical data relate to an ambient temperature of +25°C										
Capacitance Range:	0.10 µF to 150 µF										
Capacitance Tolerance:	±10%; ±20%										
Leakage Current DCL:	0.01CV or 0.5µA whichever is the greater										
Rated Voltage (V _R)	≤ +85°C:	2	3	4	6.3	10	16	20	25	50	
Category Voltage (V _C)	≤ +125°C:	1.3	2	2.7	4	7	10	13	17	33	
Surge Voltage (V _S)	≤ +85°C:	2.7	3.9	5.2	8	13	20	26	32	65	
Surge Voltage (V _S)	≤ +125°C:	1.7	2.6	3.2	5	8	12	16	20	40	
Temperature Range:	-55°C to +125°C										
Reliability:	1% per 1000 hours at 85°C, V _R with 0.1Ω/V series impedance, 60% confidence level										
Termination Finish:	Nickel and Tin Plating (standard), Nickel and Gold Plating option available upon request										

STANDARD COMMERCIAL RANGE (EIA SIZES) (LETTER DENOTES CASE SIZE)

Capacitance		Voltage Rating DC (V _R) at 85°C								
µF	Code	2.0V	3.0V	4.0V	6.3V	10V	16V	20V	25V	50V
0.10 0.15 0.22	104 154 224							K*		
0.33 0.47 0.68	334 474 684					K ^(M) /L K ^(M) /L	L L			
1.0 1.5 2.2	105 155 225		K ^(M) /L	L L	K/L L K ^(M) /L	K/L L L	L L		R	A*
3.3 4.7 6.8	335 475 685	K ^(M) /L K ^(M) /L K ^(M) /L	K ^(M) /L K ^(M) /L L	L L L	L L L/R	L/R L/R L/R	R*	R ^(M) R ^(M)	A*	
10 15 22	106 156 226	K ^(M) /L R R	L R L ^(M) /R	L/R L ^(M) /R L ^(M) /R	L ^(M) /R L ^(M) /R R	L/R R R	R			
33 47 68	336 476 686	R R R ^(M)	R R R ^(M)	R R A ^(M)	R A/R ^(M) A ^{(M)*}	A ^(M) /B ^(M) /R ^(M) B				
100 150 220	107 157 227	A ^(M)	A ^(M) /R ^(M)	A ^(M) /R ^(M)	A ^(M)					

Released codes ^(M tolerance only)

*Codes under development - subject to change.

Standard Height Profile: A, B, K, L, R Case

Low Profile: H, J, T, U, V Case

Note: Voltage ratings are minimum values. AVX reserves the right to supply higher ratings in the same case size, to the same reliability standards.

KTTIC

Standard Microchip

RATINGS & PART NUMBER REFERENCE

AVX Part No.	EIA Code	EIA Metric	Case Size	Cap (µF)	Rated Voltage (V)	DCL (µA) Max.	DF % Max.	ESR Max. (Ω) @100kHz
2 Volt @ 85°C (1.3 Volt @ 125°C)								
TACK335M002#TA	0402	1005-07	K	3.3	2	0.5	8	15
TACL335*002#TA	0603	1608-10	L	3.3	2	0.5	6	7.5
TACK475M002#TA	0402	1005-07	K	4.7	2	0.5	12	15
TACL475*002#TA	0603	1608-10	L	4.7	2	0.5	6	7.5
TACK685M002#TA	0402	1005-07	K	6.8	2	0.5	20	15
TACL685*002#TA	0603	1608-10	L	6.8	2	0.5	6	7.5
TACK106M002#TA	0402	1005-07	K	10	2	0.5	15	15
TACL106*002#TA	0603	1608-10	L	10	2	0.5	10	7.5
TACR226*002#TA	0805	2012-15	R	22	2	0.5	8	5
TACR336*002#TA	0805	2012-15	R	33	2	0.7	10	5
TACR476*002#TA	0805	2012-15	R	47	2	0.9	10	5
TACR686M002#TA	0805	2012-15	R	68	2	1.4	14	5
TACA157M002#TA	1206	3216-18	A	150	2	3	20	1
3 Volt @ 85°C (2 Volt @ 125°C)								
TACK225M003#TA	0402	1005-07	K	2.2	3	0.5	6	15
TACL225*003#TA	0603	1608-10	L	2.2	3	0.5	6	7.5
TACK335M003#TA	0402	1005-07	K	3.3	3	0.5	8	15
TACL335*003#TA	0603	1608-10	L	3.3	3	0.5	6	7.5
TACK475M003#TA	0402	1005-07	K	4.7	3	0.5	12	15
TACL475*003#TA	0603	1608-10	L	4.7	3	0.5	6	7.5
TACL685*003#TA	0603	1608-10	L	6.8	3	0.5	6	7.5
TACL106*003#TA	0603	1608-10	L	10	3	0.5	10	7.5
TACR156*003#TA	0805	2012-15	R	15	3	0.5	8	5
TACR226M003#TA	0603	1608-10	L	22	3	0.7	20	7.5
TACR226*003#TA	0805	2012-15	R	22	3	0.7	8	5
TACR336*003#TA	0805	2012-15	R	33	3	1	10	5
TACR476*003#TA	0805	2012-15	R	47	3	1.5	10	5
TACR686M003#TA	0805	2012-15	R	68	3	2	14	5
TACA107M003#TA	1206	3216-18	A	100	3	3	15	1
TACR107M003#TA	0805	2012-15	R	100	3	3	30	5
4 Volt @ 85°C (2.7 Volt @ 125°C)								
TACL155*004#TA	0603	1608-10	L	1.5	4	0.5	6	7.5
TACL225*004#TA	0603	1608-10	L	2.2	4	0.5	6	7.5
TACL335*004#TA	0603	1608-10	L	3.3	4	0.5	6	7.5
TACL475*004#TA	0603	1608-10	L	4.7	4	0.5	6	7.5
TACL685*004#TA	0603	1608-10	L	6.8	4	0.5	8	7.5
TACL106*004#TA	0603	1608-10	L	10	4	0.5	10	7.5
TACR106*004#TA	0805	2012-15	R	10	4	0.5	8	5
TACL156M004#TA	0603	1608-10	L	15	4	0.6	20	7.5
TACR156*004#TA	0805	2012-15	R	15	4	0.6	8	5
TACL226M004#TA	0603	1608-10	L	22	4	0.9	20	7.5
TACR226*004#TA	0805	2012-15	R	22	4	0.9	8	5
TACR336*004#TA	0805	2012-15	R	33	4	1.3	10	5
TACR476*004#TA	0805	2012-15	R	47	4	1.9	14	5
TACA686M004#TA	1206	3216-18	A	68	4	2.7	15	1
TACA107M004#TA	1206	3216-18	A	100	4	4	20	1
TACR107M004#TA	0805	2012-15	R	100	4	4	30	5
6.3 Volt @ 85°C (4 Volt @ 125°C)								
TACK105*006#TA	0402	1005-07	K	1	6.3	0.5	6	15
TACL105*006#TA	0603	1608-10	L	1	6.3	0.5	6	7.5
TACL155*006#TA	0603	1608-10	L	1.5	6.3	0.5	6	7.5
TACK225M006#TA	0402	1005-07	K	2.2	6.3	0.5	8	15
TACL225*006#TA	0603	1608-10	L	2.2	6.3	0.5	6	7.5

AVX Part No.	EIA Code	EIA Metric	Case Size	Cap (µF)	Rated Voltage (V)	DCL (µA) Max.	DF % Max.	ESR Max. (Ω) @100kHz
10 Volt @ 85°C (7 Volt @ 125°C)								
TACL335*006#TA	0603	1608-10	L	3.3	6.3	0.5	6	7.5
TACL475*006#TA	0603	1608-10	L	4.7	6.3	0.5	8	7.5
TACL685*006#TA	0603	1608-10	L	6.8	6.3	0.5	10	7.5
TACR685*006#TA	0805	2012-15	R	6.8	6.3	0.5	8	5
TACL106M006#TA	0603	1608-10	L	10	6.3	0.6	10	6
TACR106*006#TA	0805	2012-15	R	10	6.3	0.6	8	5
TACL156M006#TA	0603	1608-10	L	15	6.3	0.9	20	7.5
TACR156*006#TA	0805	2012-15	R	15	6.3	0.9	8	5
TACR226*006#TA	0805	2012-15	R	22	6.3	1.4	10	5
TACR336*006#TA	0805	2012-15	R	33	6.3	2.1	12	5
TACA476*006#TA	1206	3216-18	A	47	6.3	3	15	1
TACR476M006#TA	0805	2012-15	R	47	6.3	3	20	5
TACA686M006#TA	1206	3216-18	A	68	6.3	4.3	15	1
TACA107M006#TA	1206	3216-18	A	100	6.3	6.3	20	1
16 Volt @ 85°C (10 Volt @ 125°C)								
TACK474M010#TA	0402	1005-07	K	0.47	10	0.5	6	15
TACL474*010#TA	0603	1608-10	L	0.47	10	0.5	6	7.5
TACK684M010#TA	0402	1005-07	K	0.68	10	0.5	8	15
TACL684*010#TA	0603	1608-10	L	0.68	10	0.5	6	7.5
TACK105*010#TA	0402	1005-07	K	1	10	0.5	6	15
TACL105*010#TA	0603	1608-10	L	1	10	0.5	6	7.5
TACL155*010#TA	0603	1608-10	L	1.5	10	0.5	6	7.5
TACL225*010#TA	0603	1608-10	L	2.2	10	0.5	6	7.5
TACL335*010#TA	0603	1608-10	L	3.3	10	0.5	8	7.5
TACR335*010#TA	0805	2012-15	R	3.3	10	0.5	8	5
TACL475*010#TA	0603	1608-10	L	4.7	10	0.5	10	6
TACR475*010#TA	0805	2012-15	R	4.7	10	0.5	8	6
TACL685*010#TA	0603	1608-10	L	6.8	10	0.7	20	7.5
TACR685*010#TA	0805	2012-15	R	6.8	10	0.7	8	5
TACL106*010#TA	0603	1608-10	L	10	10	1	20	7.5
TACR106*010#TA	0805	2012-15	R	10	10	1	8	5
TACR156*010#TA	0805	2012-15	R	15	10	1.5	10	5
TACR226*010#TA	0805	2012-15	R	22	10	2.2	14	5
TACA336M010#TA	1206	3216-18	A	33	10	3.3	12	1
TACB336*010#TA	1210	3528-15	B	33	10	3.3	15	1
TACR336M010#TA	0805	2012-15	R	33	10	3.3	20	5
TACB476*010#TA	1210	3528-15	B	47	10	4.7	15	1
20 Volt @ 85°C (13 Volt @ 125°C)								
TACL474*016#TA	0603	1608-10	L	0.47	16	0.5	6	7.5
TACL684*016#TA	0603	1608-10	L	0.68	16	0.5	6	7.5
TACL105*016#TA	0603	1608-10	L	1	16	0.5	6	7.5
TACL225*016#TA	0603	1608-10	L	2.2	16	0.5	10	7.5
TACR335*016#TA	0805	2012-15	R	3.3	16	0.5	8	5
TACR106*016#TA	0805	2012-15	R	10	16	1.6	10	5
25 Volt @ 85°C (17 Volt @ 125°C)								
TACK104*020#TA	0402	1005-07	K	0.10	20	0.5	6	40
TACR335M020#TA	0805	2012-15	R	3.3	20	0.7	8	5
TACR475M020#TA	0805	2012-15	R	4.7	20	0.9	8	5
50 Volt @ 85°C (33 Volt @ 125°C)								
TACA105*050#TA	1206	3216-18	A	1.0	50	0.5	6	1

* Insert K for ±10% and M for ±20% Capacitance Tolerance
 # Refers to termination finished and packaging reel size
 MSL level: See page 123 (6. Moisture Sensitivity Level) or packaging and reel label.

All technical data relates to an ambient temperature of +25°C. Capacitance and DF are measured at 120Hz, 0.5V RMS with a maximum DC bias of 2.2 volts. DCL is measured at rated voltage after 5 minutes.

NOTE: AVX reserves the right to supply a higher voltage rating or tighter tolerance part in the same case size, to the same reliability standards.