

TAA Series

SOLID TANTALUM HERMETICALLY SEALED AXIAL LEADED CAPACITORS



TAA: Fully hermetically sealed, of rugged construction and high reliability for use in military and professional equipment.

1. Extremely low leakage current.
2. Excellent capacitance to size ratio.
3. Available taped and reeled for automatic insertion.
4. Marked with AVX logo, capacitor type, capacitance, capacitance tolerance, rated voltage, polarity indication and date of manufacture.
5. Conforming to the limits of MIL-C-39003 style CSR, CTS 13 and CTS 32.

CASE DIMENSIONS: millimeters (inches)

Case Size	L ₁ max.	L ₂ max.	D max.	Lead Length min.	d nom.	Weight max. g
A	7.20 (0.280)	10.7 (0.420)	3.60 (0.140)	28.0 (1.100)	0.50	0.7
B	12.0 (0.470)	15.5 (0.610)	4.90 (0.190)	28.0 (1.100)	0.50	1.3
C	17.3 (0.680)	20.9 (0.820)	7.50 (0.290)	23.0 (0.900)	0.60	4.7
D	19.9 (0.780)	23.4 (0.920)	9.00 (0.350)	22.0 (0.800)	0.60	7.4

Note: The tabulated dimensions are for non-insulated capacitors. Insulated capacitors are standard, dimension L₁ will increase by 0.8mm maximum, and dimension D by 0.2mm maximum.

HOW TO ORDER

TAA

Type

A

Case Size

105

Capacitance Code
pF code:
1st two digits represent significant figures,
3rd digit represents multiplier (number of zeros to follow)

M

Capacitance Tolerance
K = ±10%
M = ±20%

035

Rated DC Voltage

G

TAA Packaging Suffixes
(see page 106)

*Not recommended for new designs

TAA Series

TECHNICAL SPECIFICATIONS

Construction:	Hermetically sealed; axial terminations	Temperature Range:	-55°C to +125°C
Capacitance Range:	0.10 μ F to 330 μ F	Environmental Classification:	55/125/56 (IEC 68-2)
Capacitance Tolerance:	\pm 20%; \pm 10%	Dissipation Factor: (tan δ)	\leq 0.04 for C=0.1 to 4.7 μ F \leq 0.06 for C= 6.8 to 100 μ F \leq 0.08 for C= 150 to 330 μ F
Measuring Conditions:	120 Hz, 20°C	Approvals:	BS CECC 30 201-801
Rated Voltage VDC \leq +85°C:	6.3 10 16 20 25 35 50		
Category Voltage VDC \leq +125°C:	4 6.3 10 13 17 23 33		
Surge Voltage VDC \leq +85°C:	8 13 20 26 33 46 65		
Surge Voltage VDC \leq +125°C:	5 9 12 16 21 28 40		

Capacitance Range (letter denotes case size)								
Capacitance μ F	Cap Code	Rated voltage DC						
		6.3V	10V	16V	20V	25V	35V	50V
0.10	104						A	A
0.15	154						A	A
0.22	224						A	A
0.33	334						A	A
0.47	474						A	A
0.68	684					A	A	A
1.0	105				A	A	A	A
1.5	155				A	A	B	B
2.2	225	A			A	A	B	B
3.3	335	A		A			B	B
4.7	475	A	A	B	B	B	B	B
6.8	685	A		B	B	B	B	C
10	106		B		B	B	C	C
15	156	B			B	B	C	C
22	226			B	C		C	D
33	336	B	B	C	C	C	D	
47	476	B	C	C	C		D	
68	686	C		C	D	D		
100	107		C	D	D			
150	157	C	D	D				
220	227	D	D					
330	337	D						

TAA Series

RATINGS AND PART NUMBER REFERENCE

AVX Part No.	Case Size	Capacitance μ F	DCL (μ A) Max.	DF % Max.	ESR Max. (Ω) @ 100 kHz
6.3 volt @ 85°C (4 volt @ 125°C)					
TAAA225(+006	A	2.2	0.5	4	N/A
TAAA335(+006	A	3.3	0.5	4	N/A
TAAA475(+006	A	4.7	0.5	4	N/A
TAAA685(+006	A	6.8	0.5	6	5.0
TAAB156(+006	B	15	1.0	6	2.3
TAAB336(+006	B	3.3	1.0	6	2.0
TAAB476(+006	B	47	3.0	6	1.6
TAAC686(+006	C	68	4.5	6	1.0
TAAC157(+006	C	150	9.5	8	0.8
TAAD227(+006	D	220	14.0	8	0.6
TAAD337(+006	D	330	20.0	8	0.5
10 volt @ 85°C (6.3 volt @ 125°C)					
TAAA475(+010	A	4.7	0.5	6	5.0
TAAB106(+010	B	10	1.0	6	2.6
TAAB336(+010	B	33	3.5	6	1.6
TAAC476(+010	C	47	3.0	6	1.1
TAAC107(+010	C	100	10.0	6	1.0
TAAD157(+010	D	150	15.0	8	0.8
TAAD227(+010	D	220	20.0	8	0.5
16 volt @ 85°C (10 volt @ 125°C)					
TAAA335(+016	A	3.3	0.5	6	6.0
TAAB685(+016	B	6.8	0.8	6	2.5
TAAB156(+016	B	15	2.4	6	2.0
TAAB226(+016	B	22	3.5	6	1.6
TAAC336(+016	C	33	5.8	6	1.2
TAAC476(+016	C	47	7.3	6	1.0
TAAC686(+016	C	68	10.0	6	0.8
TAAD107(+016	D	100	15.0	6	0.7
TAAD157(+016	D	150	20.0	8	0.5
20 volt @ 85°C (13 volt @ 125°C)					
TAAA155(+020	A	1.5	0.5	4	9.0
TAAA225(+020	A	2.2	0.5	4	6.5
TAAB475(+020	B	4.7	0.8	4	3.0
TAAB685(+020	B	6.8	1.0	6	2.5
TAAB106(+020	B	10	2.0	6	2.6
TAAB156(+020	B	15	3.0	6	1.8
TAAC226(+020	C	22	4.5	6	1.3
TAAC336(+020	C	33	7.0	6	1.2
TAAC476(+020	C	47	9.5	6	0.9
TAAD686(+020	D	68	13.5	6	0.8
TAAD107(+020	D	100	20.0	6	0.5

AVX Part No.	Case Size	Capacitance μ F	DCL (μ A) Max.	DF % Max.	ESR Max. (Ω) @ 100 kHz
25 volt @ 85°C (17 volt @ 125°C)					
TAAA684(+025	A	6.8	0.5	4	9.5
TAAA154(+025	A	1.5	0.5	4	7.5
TAAB475(+025	B	4.7	1.2	4	2.8
TAAB106(+025	B	10	2.5	6	2.0
TAAC336(+025	C	33	8.5	6	1.0
TAAD686(+025	D	68	15.0	6	0.6
35 volt @ 85°C (23 volt @ 125°C)					
TAAA104(+035	A	0.10	0.5	4	N/A
TAAA154(+035	A	0.15	0.5	4	N/A
TAAA224(+035	A	0.22	0.5	4	N/A
TAAA334(+035	A	0.33	0.5	4	N/A
TAAA474(+035	A	0.47	0.5	4	N/A
TAAA684(+035	A	0.68	0.5	4	10.0
TAAA105(+035	A	1.0	0.5	4	8.0
TAAB155(+035	B	1.5	0.5	4	6.0
TAAB225(+035	B	2.2	1.0	4	6.0
TAAB335(+035	B	3.3	1.0	4	3.5
TAAB475(+035	B	4.7	1.5	4	2.5
TAAB685(+035	B	6.8	2.5	6	2.0
TAAC106(+035	C	10	3.5	6	1.6
TAAC156(+035	C	15	5.0	6	1.2
TAAC226(+035	C	22	7.5	6	1.0
TAAD336(+035	D	33	10.0	6	0.8
TAAD476(+035	D	47	10.0	6	0.6
50 volt @ 85°C (33 volt @ 125°C)					
TAAA104(+050	A	0.10	0.5	4	N/A
TAAA154(+050	A	0.15	0.5	4	N/A
TAAA224(+050	A	0.22	0.5	4	N/A
TAAA334(+050	A	0.33	0.5	4	N/A
TAAA474(+050	A	0.47	0.5	4	N/A
TAAA684(+050	A	0.68	0.5	4	10.0
TAAA105(+050	A	1.0	0.5	4	8.0
TAAB155(+050	B	1.5	0.8	4	6.0
TAAB225(+050	B	2.2	1.1	6	6.0
TAAB335(+050	B	3.3	1.7	6	3.5
TAAB475(+050	B	4.7	2.4	6	2.5
TAAC685(+050	C	6.8	3.4	6	2.0
TAAC106(+050	C	10	5.0	6	1.6
TAAC156(+050	C	15	7.5	6	1.2
TAAD226(+050	D	22	11.0	6	1.0

(*) Insert capacitance tolerance code; M for $\pm 20\%$ and K for $\pm 10\%$

NOTE: Voltage ratings are minimum values. AVX reserves the right to supply higher voltage ratings in the same case size.

Axial Capacitors

Tape and Reel Packaging

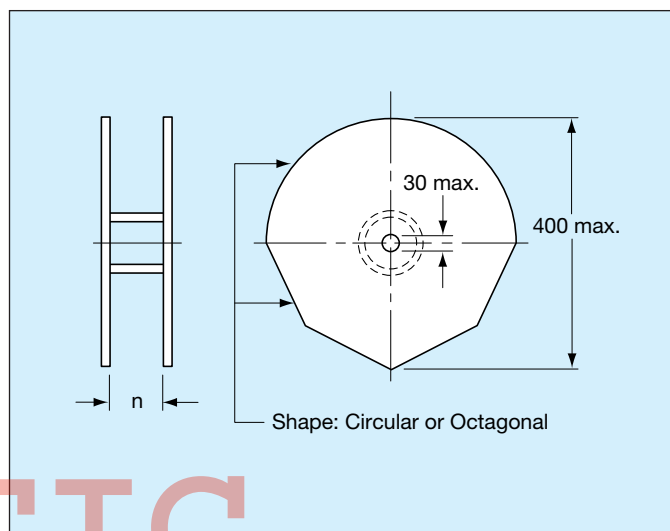
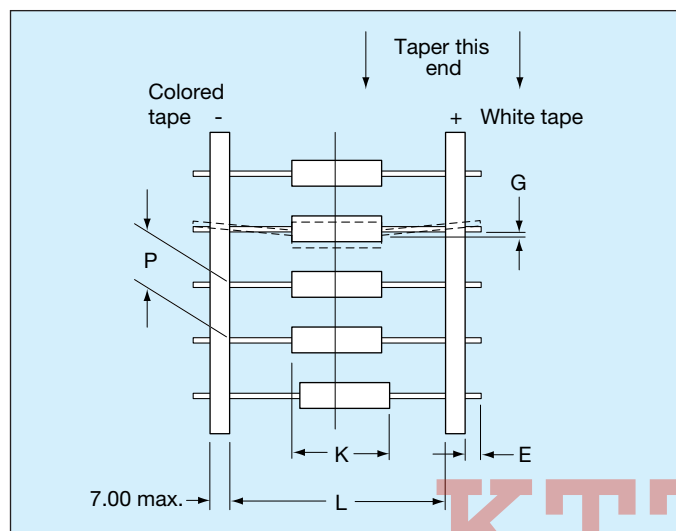
SOLID TANTALUM AXIAL TAR AND TAA

TAPE AND REEL PACKAGING FOR AUTOMATIC COMPONENT INSERTION

TAR and TAA series are supplied as standard on axial bandolier, in reel format or 'ammo' pack for use on high speed axial automatic insertion equipment, or preforming machines.

The tape format is compatible with standards for component taping set out by major manufacturers of axial automatic insertion equipment.

TAPE SPECIFICATION REEL CONFIGURATION



PACKAGING QUANTITIES TAR

For reels

Case Size	Number of Pieces
Q	3000
R	3000
S	2000
W	2000

PACKAGING QUANTITIES TAA

For reels, Standard Suffix G

Case Size	Number of Pieces
A	3500
B	2500
C	500
D	400

For reels, Suffix K

Case Size	Number of Pieces
A	1500
B	1000
C	250
D	250

DIMENSIONS:

millimeters (inches)

E max	1.60 (0.063)
G max	1.20 (0.047)
K	Component body shall be located centrally within a window, width K, where K is 1.40 (0.060) greater than the primary body length
L	52.4 ± 1.50 (2.060 ± 0.060)
P	5.00 ± 0.50 (0.200 ± 0.020)
leader max	400 (15.75)
trailer max	30.0 (1.200)
n	Will allow for unhindered reeling and unreeling of the taped components. Preferred dimensions 73.0 (2.870) spacing.